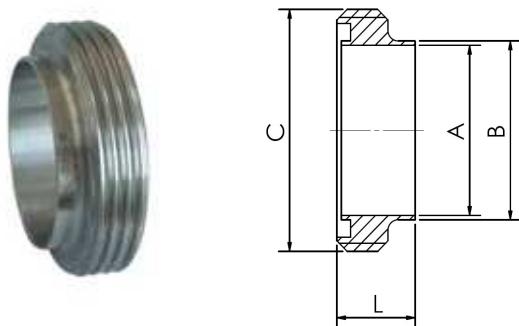


# CANG ZHOU CHANGYUAN FITTINGS CO.,LTD

No.26 Shigang Road,Development Zone,Cangzhou,Hebei,China 061000 E-mail: con-well@vip.163.com

## SMS UNIONS ( Measures:mm)

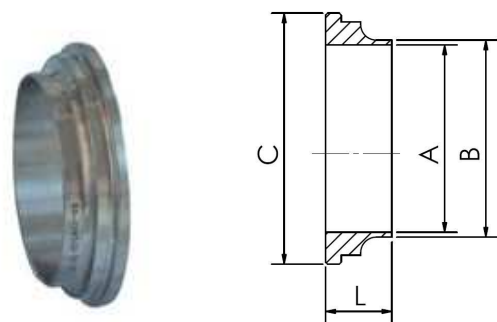
### SMS Welding Male



Item \ DN	25(S)	25(B)	38(S)	38(B)	51(S)	51(B)	63.5	76	101.6-small	104	101.6-big
A	22.5	22	35.5	35	48.5	48	60.5	72.9	97.6	100	97.6
B	25	25	38	38	51	51	63.5	76.1	101.6	104	101.6
C	40	40	60	60	70	70	85	98	125	125	132
L	19	19	23	23	23	23	27	27	30	30	30

Material :304, 316 ,316L

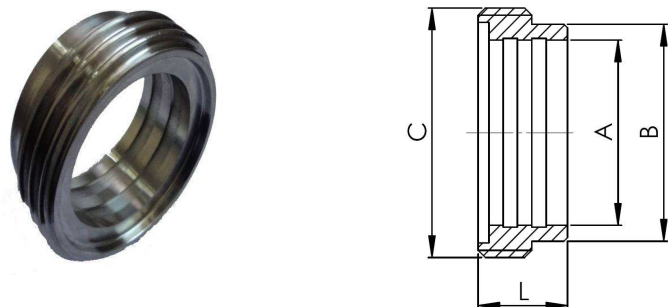
### SMS Welding Liner



Item \ DN	25(S)	25(B)	38(S)	38(B)	51(S)	51(B)	63.5	76	101.6-small	104	101.6-big
A	22.5	22	35.5	35	48.5	48	60.5	72.9	97.6	100	97.6
B	25	25	38	38	51	51	63.5	76.1	101.6	104	101.6
C	35.5	35.5	55	55	65	65	80	93	118	118	127
L	15.5	15.5	16	16	17	17	17	19	19	19	19

Material :304, 316 ,316L

### SMS Expanding Male



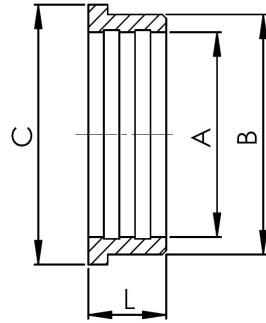
Item \ DN	25	32	38	40	51	63.5	76	104
A	25.2	32.2	38.2	40.2	51.2	63.7	76.2	104.2
B	32	40	48	50	60	73.5	86	112
C	40	48	60	60	70	85	98	125
L	20	20	23	23	25	30	35	30

Material :304, 316 ,316L

# CANG ZHOU CHANGYUAN FITTINGS CO.,LTD

No.26 Shigang Road,Development Zone,Cangzhou,Hebei,China 061000 E-mail: con-well@vip.163.com

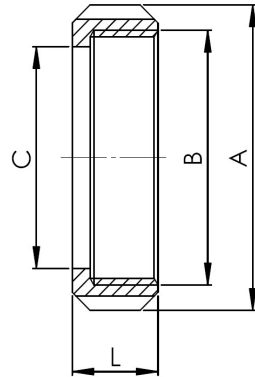
## SMS UNIONS ( Measures:mm)



### SMS Expanding Liner

Item \ DN	25	32	38	40	51	63.5	76	104
A	25.2	32.2	38.2	40.2	51.2	63.7	76.2	104.2
B	32	40	48	48	60	73.5	86	112
C	35.5	43.5	55	55	65	80	93	118
L	17	17	20	20	20	25	30	27

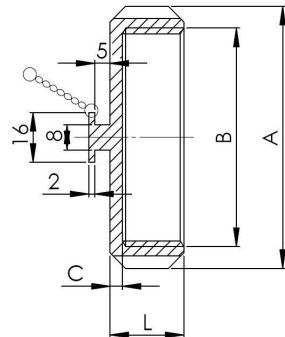
Material :304, 316 ,316L



### SMS Round Nut (6 slots)

Item \ DN	25	32	38	51	63.5	76	104	101.6-big
A	51	60	74	84	100	114	138	150
B	40	48	60	70	85	98	125	132
C	32.3	40.3	48.5	61	74	87	113	117
L	19	22	23	24	28	30	31	31
slots	6	6	6	6	6	6	6	6

Material :304



### SMS Blind Nut (6 slots)

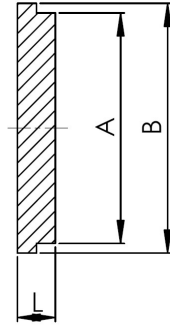
Item \ DN	25	32	38	51	63.5	76	104
A	51	60	74	84	100	114	138
B	40	48	60	70	85	98	125
C	4	4	4	5	5	6	5
L	19	22	23	24	28	30	31
slots	6	6	6	6	6	6	6

Material :304

# CANG ZHOU CHANGYUAN FITTINGS CO.,LTD

No.26 Shigang Road,Development Zone,Cangzhou,Hebei,China 061000 E-mail: con-well@vip.163.com

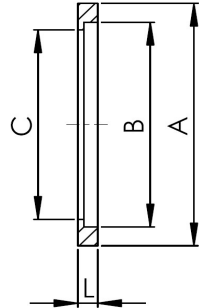
## SMS UNIONS ( Measures:mm)



### SMS Blank Cap

Item \ DN	25	38	51	63.5	76	104
A	32	48	60	73.5	86	112
B	35.5	55	65	80	93	118
L	7.5	9	10	10	11	11

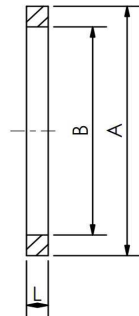
Material :304, 316 ,316L



### SMS Welding Seal(EPDM,Silicon,Viton)

Item \ DN	25	38	51	63.5	76	104
A	31.8	47.8	60.8	73.3	85.8	115.7
B	25.1	38.1	51.1	63.6	76.1	104
C	22.8	35.8	48.8	61	73.4	100.5
L	5.3	5.3	5.3	5.3	5.3	5.3

Material :EPDM, SILICON



### SMS Expanding Seal(EPDM,Silicon,Viton)

Item \ DN	25	32	38	40	51	63.5	76	104
A	32	40	48	50	61	73.5	86	116
B	25	32	38	40	51	63.5	76	104
L	5.5	5.5	5.5	5.5	5.5	5.5	5.5	5.5

Material :EPDM, SILICON