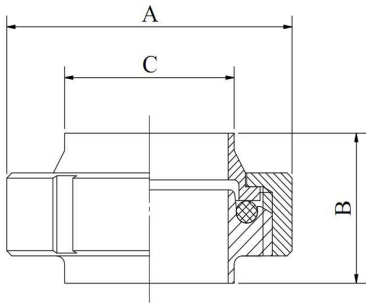


CANG ZHOU CHANGYUAN FITTINGS CO.,LTD

No.26 Shigang Road,Development Zone,Cangzhou,Hebei,China 061000 E-mail: Con-well@vip.163.com

RJT UNIONS (Measures:mm)

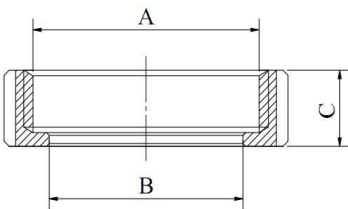
BSM RJT Standard



BSM RJT COMPLETE UNION

SIZE	A	B	C	A/F
25.4	59	44	25.4	51
38.1	75	44	38.1	64
50.8	91	44	50.8	78
63.5	106	44	63.5	91
76.2	116	44	76.2	104
101.6	145	44	101.6	130
152.4	212	53	152.4	184

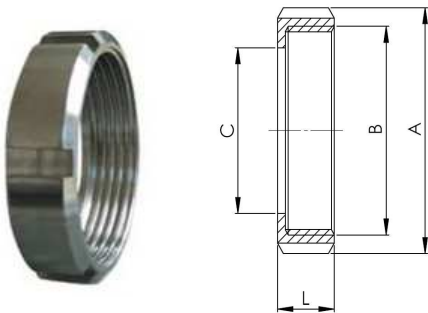
BSM RJT Standard



RJT HEX NUT CF8

SIZE	A	B	C
25.4	42.3X8TPI WHIT	33.3	22
38.1	55.0X8TPI WHIT	46.0	22
50.8	67.8X6TPI WHIT	58.7	22
63.5	80.5X6TPI WHIT	71.4	22
76.2	93.2X6TPI WHIT	84.1	22
101.6	118.6X6TPI WHIT	109.5	22
152.4	169.4X6TPI WHIT	160.3	24

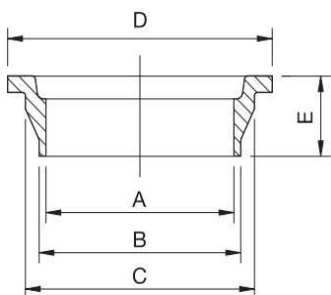
BSM RJT Standard



RJT ROUND NUT CF8

SIZE	A	B	C	L	SLOTS
25.4	59	46.8	33.3	22.2	4
38.1	72	59.3	45.8	22.2	4
50.8	86	74.1	58.7	22.2	6
63.5	98	86.6	71.4	22.2	6
76.2	111	99.0	84.1	22.2	6
101.6	136	125.5	108.8	22.2	6

BSM RJT Standard

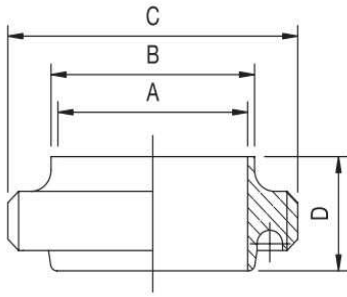


BSM RJT LINER

SIZE	A	B	C	D	E
25.4	22.2	25.4	32.6	41.3	19
38.1	34.9	38.1	45.3	54.0	19
50.8	47.6	50.8	58.0	66.7	19
63.5	60.3	63.5	70.7	79.4	19
76.2	73.0	76.2	83.4	92.1	19
101.6	97.6	101.6	108.8	117.5	19
152.4	149.2	152.4	159.6	168.3	27

BSM RJT Standard

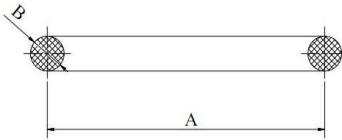
BSM RJT MALE



SIZE	A	B	C	D
25.4	22.2	25.4	45.7X8TPI WHIT	26.8
38.1	34.9	38.1	58.4X8TPI WHIT	26.8
50.8	47.6	50.8	72.7X6TPI WHIT	26.8
63.5	60.3	63.5	85.4X6TPI WHIT	26.8
76.2	73	76.2	98.1X6TPI WHIT	26.8
101.6	97.6	101.6	123.5X6TPI WHIT	26.8
152.4	149.2	152.4	174.3X6TPI WHIT	26.8

BSM RJT Standard

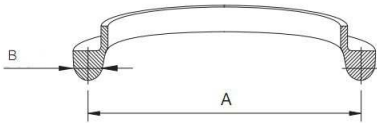
BSM RJT SEAL(O-RING)EPDM



SIZE	A	B
25.4	33.3	6.5
38.1	46	6.5
50.8	58.7	6.5
63.5	71.4	6.5
76.2	84.1	6.5
101.6	110.2	6.5
152.4	162.6	6.5

BSM RJT Standard

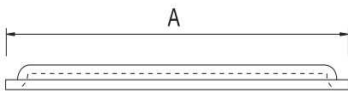
BSM RJT CIP SEAL(O-RING)EPDM



SIZE	A	B
25.4	33.3	6.5
38.1	46	6.5
50.8	58.7	6.5
63.5	71.4	6.5
76.2	84.1	6.5
101.6	110.2	6.5
152.4	162.6	6.5

BSM RJT Standard

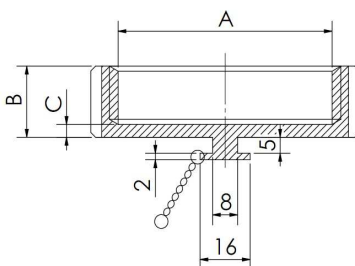
BSM RJT BLANK CAPS



SIZE	A
25.4	41.3
38.1	54.0
50.8	66.7
63.5	79.4
76.2	92.1
101.6	117.5
152.4	169.1

BSM RJT Standard

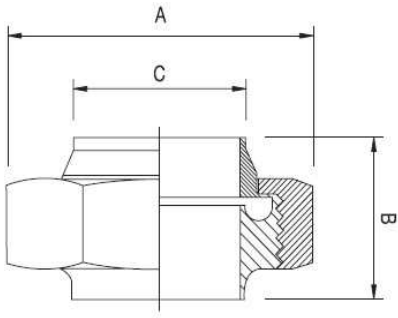
BSM RJT BALNK HEX NUT C/W CHAIN



SIZE	A	B	C
25.4	42.2X8TPI WHIT	22	4
38.1	55.2X8TPI WHIT	22	4
50.8	68.5X6TPI WHIT	22	4
63.5	81.0X6TPI WHIT	22	4
76.2	93.7X6TPI WHIT	22	4
101.6	119.8X6TPI WHIT	22	4

BSM FLAT-FACED

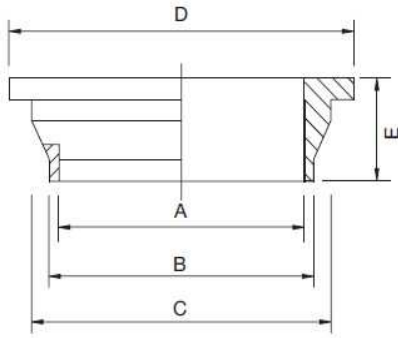
BSM FLAT-FACED COMPLETE UNION



SIZE	A	B	C	A/F
25.4	59	44	25.4	51
38.1	75	44	38.1	64
50.8	91	44	50.8	78
63.5	106	44	63.5	91
76.2	116	44	76.2	104
101.6	145	44	101.6	130
152.4	212	53	152.4	184

BSM FLAT-FACED

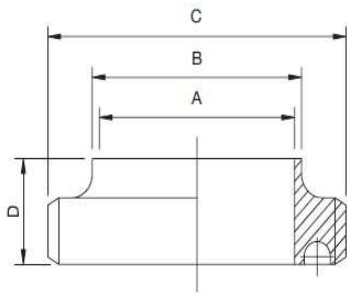
BSM FLAT-FACED LINER



SIZE	A	B	C	D	E
25.4	22.2	25.4	32.6	41.3	19
38.1	34.9	38.1	45.3	54.0	19
50.8	47.6	50.8	58.0	66.7	19
63.5	60.3	63.5	70.7	79.4	19
76.2	73.0	76.2	83.4	92.1	19
101.6	97.6	101.6	108.8	117.5	19
152.4	149.2	152.4	159.6	168.3	27

BSM FLAT-FACED

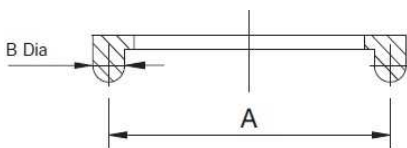
BSM RJT MALE



SIZE	A	B	C	D
25.4	22.2	25.4	45.7X8TPI WHIT	22
38.1	34.9	38.1	58.4X8TPI WHIT	22
50.8	47.6	50.8	72.7X6TPI WHIT	22
63.5	60.3	63.5	85.4X6TPI WHIT	22
76.2	73	76.2	98.1X6TPI WHIT	22
101.6	97.6	101.6	123.5X6TPI WHIT	22
152.4	149.2	152.4	174.3X6TPI WHIT	22

BSM FLAT-FACED

BSM FLAT-FACED SEAL(O-RING)EPDM



SIZE	A	B
25.4	33.3	6.5
38.1	46.0	6.5
50.8	58.7	6.5
63.5	71.4	6.5
76.2	84.1	6.5
101.6	110.2	6.5
152.4	162.6	6.5