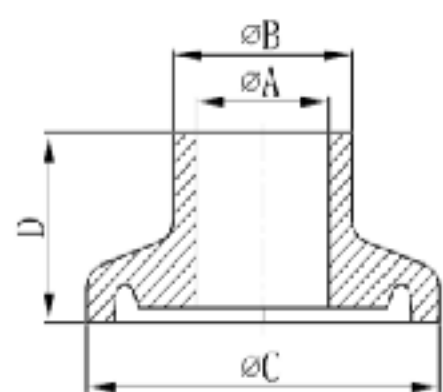
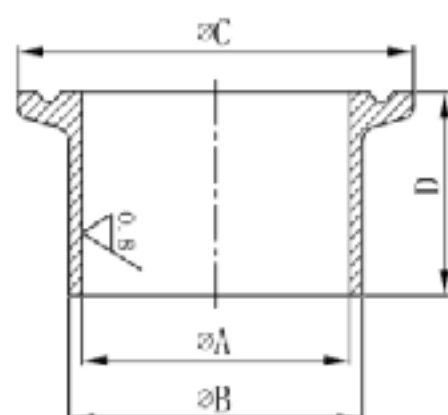


Drawings of Ferrules (Measures:mm)

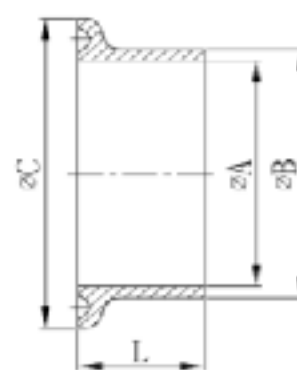
焊式卡盘 Welding Ferrule
3A/SMS-14WMP 14MMP 14AMP



1/2"~3/4"



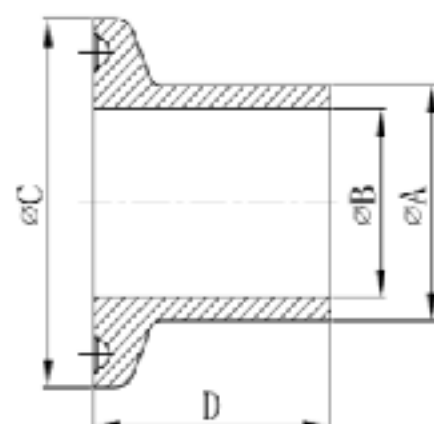
SIZE	A	B	C	D	D	D
1/4"	3.9	6.35	25.2	12.7		
1/2"	9.4	12.7	25.2	12.7	21.5	28.6
3/4"	15.75	19.05	25.2	12.7	21.5	28.6
1.0"	22.1	25.4	50.5	12.7	21.5	28.6
DN25	22.5	25	50.5	12.7	21.5	28.6
1.2"	27.18	30.48	50.5	12.7	21.5	28.6
1.5"	34.8	38.1	50.5	12.7	21.5	28.6
DN38	35.5	38	50.5	12.7	21.5	28.6
2.0"	47.5	50.8	64.0	12.7	21.5	28.6
DN51	48.5	51	64.0	12.7	21.5	28.6
2.5"	60.2	63.5	77.5	12.7	21.5	28.6
DN63.5	60.3	63.5	77.5		21.5	28.6
DN76	72.9	76.1	91.0	12.7	21.5	28.6
3.0"	72.9	76.2	91.0	12.7	21.5	28.6
DN104	100	104	119.0	15.8	21.5	28.6
4.0"	97.4	101.6	119.0	15.8	21.5	28.6
6.0"	146.8	152.4	166.8		21.5	28.6 or 38.1
8.0"	197.6	203.2	217.7		21.5	28.6 or 38.1
10"	247.2	254	268.5		21.5	28.6 or 38.1
12"	298	304.8	319.3		21.5	28.6 or 38.1



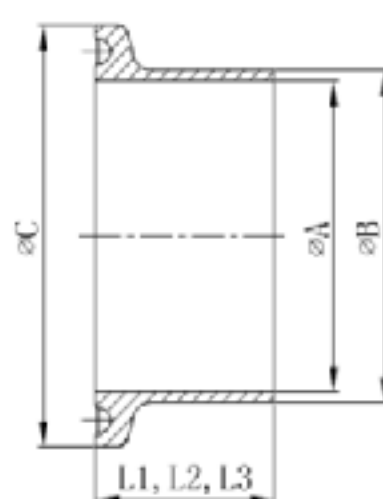
14MPW接头

SIZE	A	B	C	L
1.0"	22.1	29.5	50.5	20
1.5"	34.8	42.6	50.5	20
2.0"	47.5	55.7	64.0	20
2.5"	60.2	68.8	77.5	20
3.0"	72.9	81.9	91.0	20
4.0"	97.4	108.1	119.0	20

ISO 卡盘/ISO Ferrule



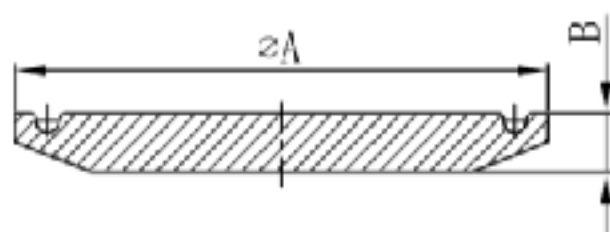
DN	A	B	C	D
8	13.5	10.3	34	28.6
12	17.5	14.0	34	28.6
15	21.3	18.1	34	28.6
20	26.9	23.7	50.5	28.6
25	33.7	30.5	50.5	28.6
32	42.4	39.2	50.5	28.6
40	48.3	45.1	64.0	28.6
50	60.3	56.3	77.5	28.6
65	76.1	72.1	91.0	28.6
80	88.9	84.9	106.0	28.6
100	114.3	109.1	130.0	28.6
125	139.7	133.7	155.0	28.6
150	168.3	162.3	183.0	28.6
200	219.1	211.1	233.5	28.6
250	273	267	319	28.6



DIN卡盘/DIN Ferrule

DN	A	B	C	L1	L2	L3
10	9	12	34	12.7	21.5	28.6
15	15	18	34	12.7	21.5	28.6
20	19	22	34	12.7	21.5	28.6
28	25	28	50.5	12.7	21.5	28.6
34	31	34	50.5	12.7	21.5	28.6
40	37	40	50.5	12.7	21.5	28.6
52	49	52	64.0	12.7	21.5	28.6
70	66	70	91.0	12.7	21.5	28.6
85	81	85	106.0	15.8	21.5	28.6
101.6	97.6	101.6	119.0	15.8	21.5	28.6
104	100	104	119.0	15.8	21.5	28.6
125	125	129	155	15.8	21.5	28.6
150	150	154	183	15.8	21.5	28.6
200	200	204	233.5			28.6

DIN-16AMP盲板
Blank DIN-16AMP



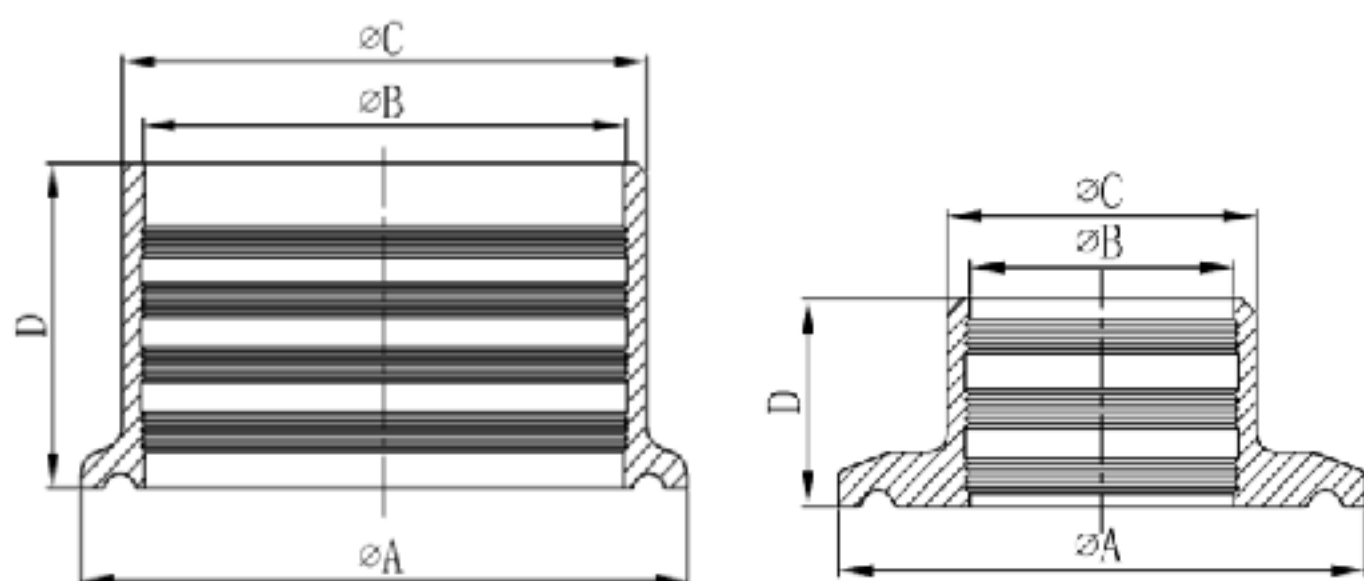
SIZE	A	B
1/2"	25	6.4
3/4"	25	6.4
1.0"	50.5	6.4
1.5"	50.5	6.4
2.0"	64	6.4
2.5"	77.5	6.4
3.0"	91	6.4
4.0"	119	6.4
10	34	6.4
20	34	6.4
80	106	6.4

3A-16AMP盲板
Blank 3A-16AMP

SIZE	A	B
A37	34	6.3
1/2"-3/4"	25.2	5
1"-1.5"	50.5	6.3
2.0"	61.0	6.3
2.5"	77.5	6.3
3.0"	91.0	6.3
4.0"	119.0	7.9
6.0"	166.8	11.1
8.0"	217.7	11.1
10"	268.5	11.1
12"	319.3	11.1

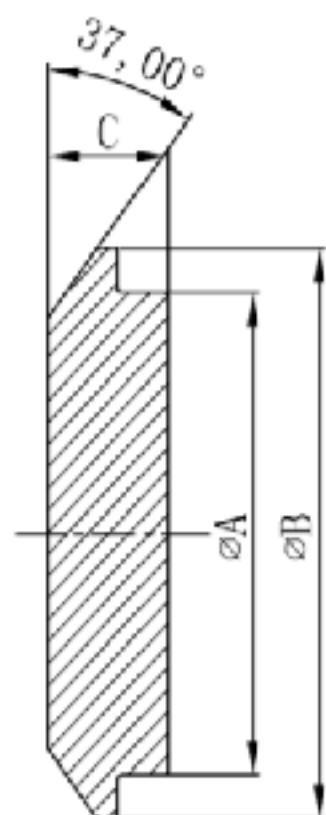
SMS&ISO-16 AMP盲板
Blank ISO-16AMP

SMS	ISO	A	B
DN25	26.9	50.5	6.3
DN38	33.7	50.5	6.3
	42.4	50.5	6.3
DN51	48.3	64	6.3
DN63.5	60.3	77.5	6.3
DN76.1		91	6.3
	88.9	106	6.3
DN104		119	7.9
	114.3	130	7.9
	139.7	155	7.9
	168.3	183	11.1
	219.1	233.5	11.1



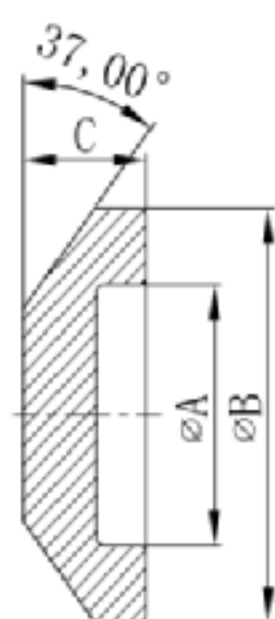
3A-扩孔式平接头
3A-Expanding Ferrule

SIZE	A	B	C	D
1.0"	50.5	25.5	29.5	19.1
1.5"	50.5	38.2	42.6	28.6
2.0"	64	50.9	55.7	33.3
2.5"	77.5	63.6	68.8	34.9
3.0"	91	76.3	91.9	36.5
4.0"	119	101.7	108.1	38.1



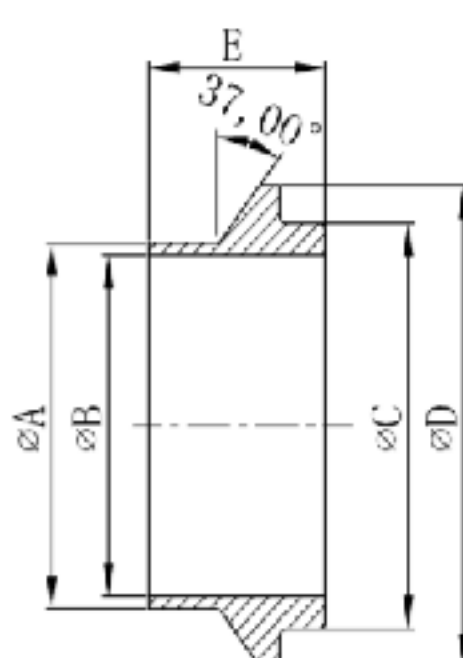
14WI盲板
14WI-Cap male

SIZE	A	B	C
1.0"	31.50	50.67	9.7
1.5"	44.20	50.67	9.7
2.0"	56.90	67.05	11.77
2.5"	69.60	84.00	15.52
3.0"	83.82	98.30	16.12
4.0"	109.14	123.70	16.12



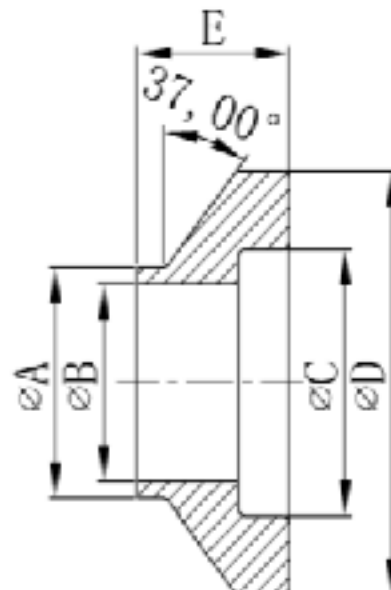
15WI盲板
15WI-Cap Female

SIZE	A	B	C
1.0"	31.88	50.67	12.75
1.5"	44.58	50.67	12.75
2.0"	57.28	67.05	17.66
2.5"	69.98	84.00	18.77
3.0"	84.20	98.30	19.37
4.0"	109.60	123.70	19.37



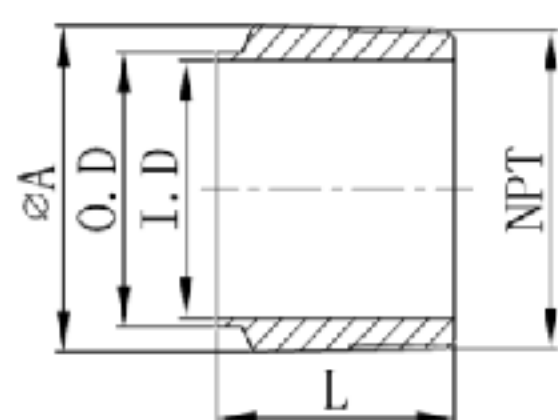
14WI-平接头
14WI-Ferrule Male

SIZE	A	B	C	D	E
1.0"	25.65	22.10	31.50	50.67	19.84
1.5"	38.35	24.80	44.20	50.67	23.80
2.0"	51.05	47.50	56.90	67.05	26.19
2.5"	63.75	60.20	69.60	84.00	29.36
3.0"	76.45	72.89	83.82	98.30	30.94
4.0"	101.85	97.38	109.14	123.70	34.11



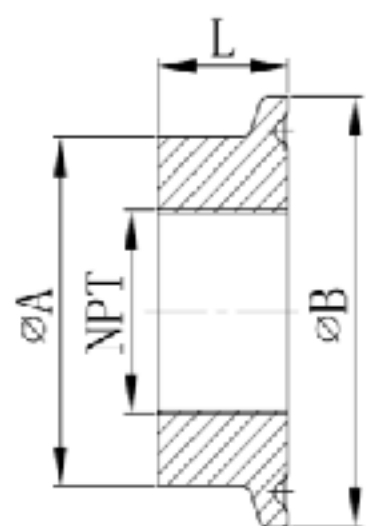
15WI-平接头
15WI-Ferrule Male

SIZE	A	B	C	D	E
1.0"	25.65	22.10	31.88	50.67	19.84
1.5"	38.35	24.80	44.58	50.67	23.80
2.0"	51.05	47.50	57.28	67.05	26.19
2.5"	63.75	60.20	69.98	84.00	29.36
3.0"	76.45	72.89	84.20	98.30	30.94
4.0"	101.85	97.38	109.60	123.70	34.11



B19W 外螺纹接头
B19 Adapter

SIZE	LD	O.D	A	L	NPT
1.0"	22.1	25.4	33.4	44.5	1.0"-11.5
1.5"	34.8	38.1	48.3	44.5	1.5"-11.5
2.0"	47.5	50.8	60.3	46	2.0"-11.5
2.5"	60.2	63.5	73.0	58.7	2.5"-8
3.0"	72.9	76.2	88.9	63.5	3.0"-8
4.0"	97.4	101.6	114.3	65.1	4.0"-8
6.0"	146.9	152.4	168.3	76.2	6.0"-8

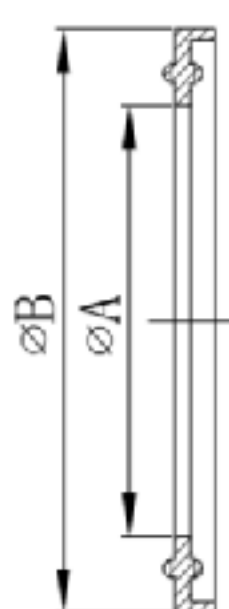


23BMP 内螺纹接头
23BMP Thermometer Cap

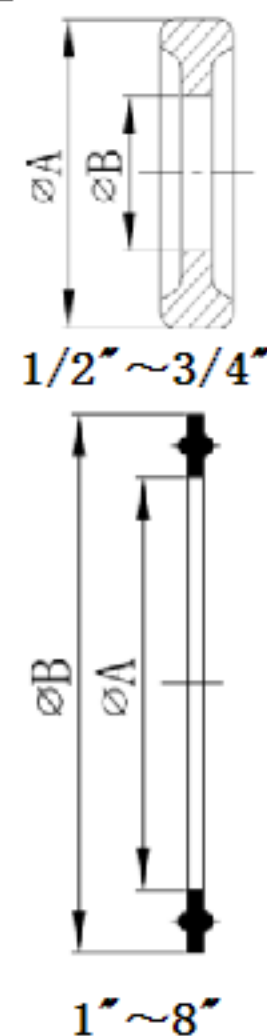
SIZE	A	B	NPT	L
1.0"	25.4	50.5	1/2"-14	15.8
1.5"	38.1	50.5	3/4"-14	15.8
2.0"	50.8	64.0	3/4"-14	15.8
2.5"	63.5	77.5	3/4"-14	15.8
3.0"	76.2	91.0	3/4"-14	15.8
4.0"	101.6	119.0	3/4"-14	15.8

垫圈/Ferrule Gasket (EPDM, SILICON, VITON, PTFE)

菱形垫圈
Flange Type 13FG



SIZE	A	B
1.0"	22.8	52.7
1.5"	35.8	52.7
2.0"	48.8	66.2
2.5"	60.5	79.7
3.0"	73.1	93.2
4.0"	97.8	121.2
6.0"	148	169.1
10.0"	270.7	249
12.0"	300	321.5

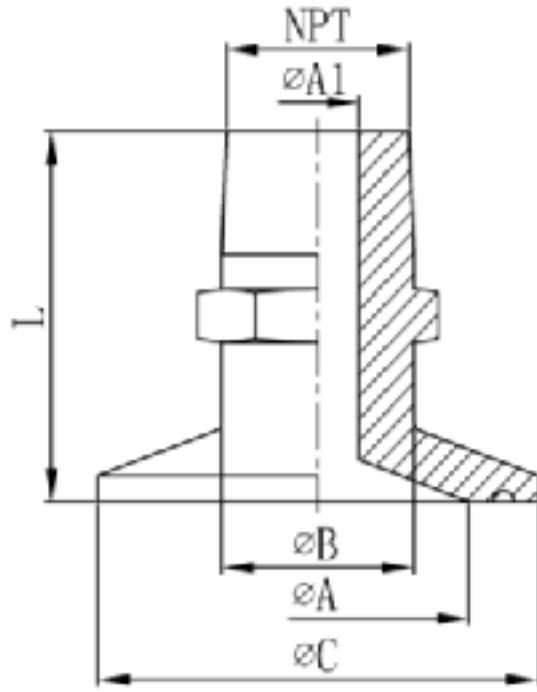


平形垫圈
Flange Type 13FG

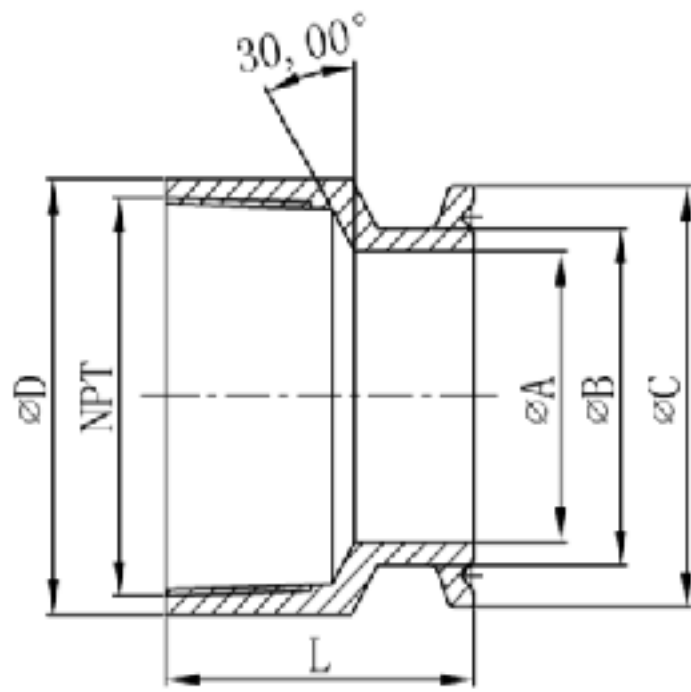
SIZE	A	B
1/2"	21.8	9.9
3/4"	21.8	16.3
1.0"	50.0	22.7
1.5"	50.0	35.9
2.0"	63.5	48.6
2.5"	76.2	61.3
3.0"	88.9	74.0
4.0"	118	98.6
6.0"	165	147.8
8.0"	216	196.6

Gasket for Ferrule: EPDM,SILICON,VITON,PTFE

21MP 外螺纹接头
21MP Male Adapter



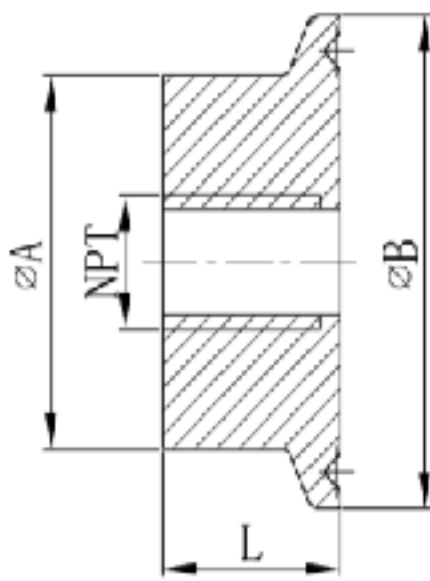
SIZE	A1	A		B	C	NPT	L
		1.0"	1.5"				
1.0"&1.5×1/4"	3.18	22.2	34.9	14	50.5	Φ13.25 1/4" 18	40
1.0"&1.5×3/8"	6.35	22.2	34.9	18	50.5	Φ16.67 3/8" 18	40
1.0"&1.5×1/2"	9.5	22.2	34.9	22	50.5	Φ20.71 1/2" 14	40
1.0"&1.5×3/4"	15.8	22.2	34.9	27	50.5	Φ26.03 3/4" 14	45
1.0"&1.5×1.0"	22.2	22.2	34.9	34	50.5	Φ32.59 1.0" 11-1/2	50
1.0"&1.5×1.5"	34.9	22.2	34.9	38.1	50.5	Φ47.38 1.5" 11-1/2	50
1.0"&1.5×2.0"	47.6	22.2	34.9	38.1	50.5	Φ59.40 2.0" 11-1/2	55
2.0"×3/4"	15.8	47.6		50.8	64.0	Φ26.03 3/4" 14	50
2.0"×1.0"	22.2	47.6		50.8	64.0	Φ32.59 1.0" 11-1/2	50
2.0"×1.5"	34.9	47.6		50.8	64.0	Φ47.38 1.5" 11-1/2	50
2.0"×2.0"	47.6	47.6		50.8	64.0	Φ59.40 2.0" 11-1/2	55
2.0"×2.5"	60.3	47.6		50.8	64.0	Φ71.61 2.5" 8	60
2.0"×3.0"	73	47.6		50.8	64.0	Φ87.39 3.0" 8	70
2.0"×4.0"	97.6	47.6		50.8	64.0	Φ112.63 4.0" 8	75



22MP 内螺纹接头
22MP Female Adapter

SIZE	A		B	C	D	NPT	L
	1.0"	1.5"					
1.0"&1.5×1/2"	22.2	34.9	38.1	50.5	52	1.5"NPT	39
1.0"&1.5×2.0"	22.2	34.9	38.1	50.5	65	2.0"NPT	39
2.0"×2.0"	47.6		50.8	64	65	2.0"NPT	39
2.5"×2.5"	60.3		63.5	77.5	80	2.5"NPT	50
3.0"×2.5"	73		76.2	91	95	2.5"NPT	50
4.0"×3.0"	73		76.2	91	95	3.0"NPT	52
6.0"×4.0"	97.6		101.6	119	120	4.0"NPT	54

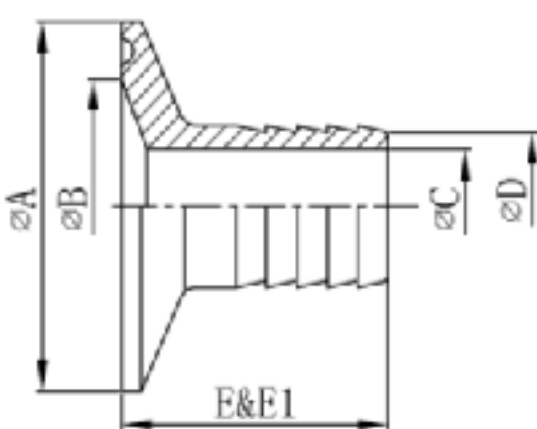
22MP 内螺纹接头
22MP Female Adapter



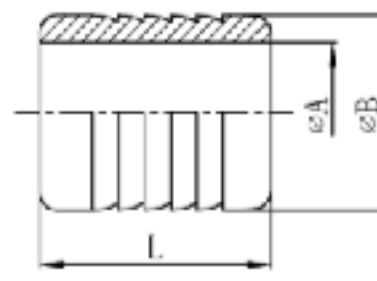
SIZE	A	B	L	NPT
1.0"&1.5×1/4"	38.1	50.5	19	1/4"NPT
1.0"&1.5×3/8"	38.1	50.5	19	3/8"NPT
1.0"&1.5×1/2"	38.1	50.5	19	1/2"NPT
1.0"&1.5×3/4"	38.1	50.5	19	3/4"NPT
1.0"&1.5×1.0"	38.1	50.5	19	1"NPT
2.0"×1.0"	50.8	64.0	19	1.0"NPT
2.0"×1.5"	50.8	64.0	19	1.5"NPT
2.5"×1.0"	63.5	77.5	35	1.0"NPT
2.5"×1.5"	63.5	77.5	35	1.5"NPT

SIZE	A	B	L	NPT
2.5"×2.0"	63.5	77.5	35	2.0"NPT
3.0"×1.0"	76.2	91	35	1.0"NPT
3.0"×1.5"	76.2	91	35	1.5"NPT
3.0"×2.0"	76.2	91	35	2.0"NPT
4.0"×1.0"	101.6	119	35	1.0"NPT
4.0"×1.5"	101.6	119	35	1.5"NPT
4.0"×2.0"	101.6	119	35	2.0"NPT
4.0"×2.5"	101.6	119	35	2.5"NPT
4.0"×3.0"	101.6	119	35	3.0"NPT

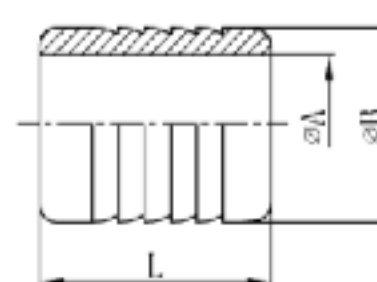
14MPHR 软管接头
14MPHR Hose Adapter



SIZE	A	B	C	D	E	E1
1/2"	50.5	34.5	9.5	13.7	38	140
3/4"	50.5	34.5	15.8	21.4	38	140
1.0"	50.5	34.5	20.6	25.4	43	140
1.5"	50.5	34.5	33.2	38.1	43	140
2.0"	64.0	46.0	46.0	50.8	58.7	140
2.5"	77.5	60.3	58.7	63.5	59.5	140
3.0"	91.0	73	72	76.2	78.6	140
4.0"	119	97.6	97.6	101.6	85.5	140



SIZE: 1/2"-3/4"



SIZE: 1.0"-4.0"

SIZE	A	B	L
1/2"	50.5	34.5	25.3
3/4"	50.5	34.5	25.3
1.0"	50.5	34.5	30.3
1.5"	50.5	34.5	30.3
2.0"	64.0	46.0	46.0
2.5"	77.5	59.9	46.8
3.0"	91.0	73.0	65.9
4.0"	119	97.6	72.8