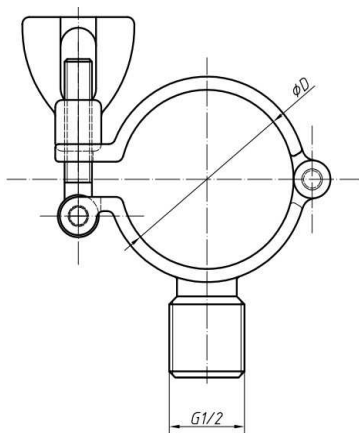


# CANG ZHOU CHANGYUAN FITTINGS CO.,LTD

No.26 Shigang Road,Development Zone,Cangzhou,Hebei,China 061000

Http: [www.con-well.com](http://www.con-well.com) E-mail: [con-well@vip.163.com](mailto:con-well@vip.163.com)

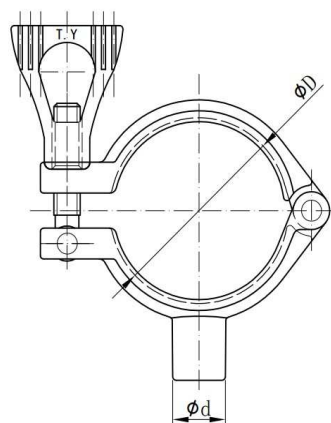
## Casting Pipe Holder



**Brasil Pipe Holder**

( Measures:mm)

Item \ DN	1/2"	3/4"	1"	1.5"	2"	2.5"	3"	4"	5"	6"
D	12.7	19.1	25.4	38.1	50.8	63.5	76.2	101.6	127	153



**Korea Pipe Holder**

Item \ DN	1S	1.5S	2S
D	25.4	38.1	50.8
d	16	16	16