

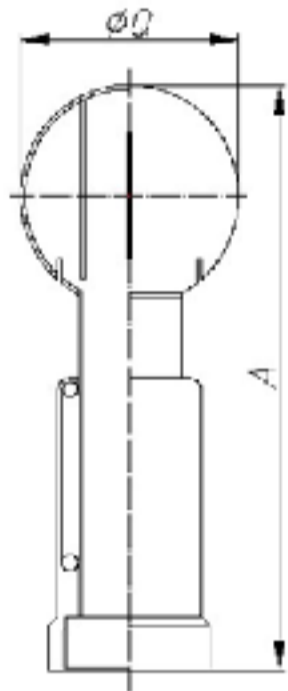


# CANG ZHOU CHANGYUAN FITTINGS CO.,LTD

No.26 Shigang Road,Development Zone,Cangzhou,Hebei,China 061000 E-mail: Con-well@vip.163.com

## Drawings of Sanitary Cleaning Ball Series (Measures:mm)

### Threaded Rotary cleaning ball 螺纹式旋转式清洗球

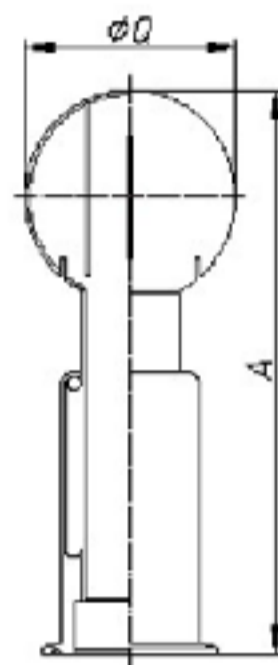


Item	Size	1"	1 1/4"	1 1/2"	2"	2 1/2"
A		140.0	160.0	170.0	192.0	220.0
Q		53.0	63.0	63.0	76.0	91.0

#### Technical parameter

Item	Size	1"-1 1/2"	2"	2 1/2"
Pressure(bar)		2	2	2
Cleaning radius(m)		1.25	1.5	2.0
Fluxation (m <sup>3</sup> /h)		12	38	38

### Clamped Rotary cleaning ball 卡箍式旋转式清洗球

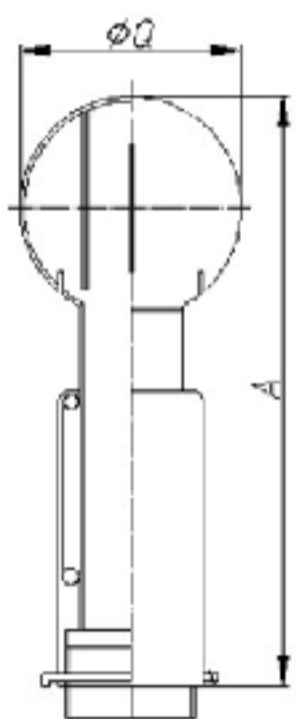


Item	Size	1"	1 1/4"	1 1/2"	2"	2 1/2"
A		138.0	138.0	138.0	168.0	190.0
Q		53.0	53.0	53.0	63.0	76.0

#### Technical parameter

Item	Size	1"-1 1/2"	2"	2 1/2"
Pressure(bar)		2	2	2
Cleaning radius(m)		1.25	1.5	2.0
Fluxation (m <sup>3</sup> /h)		12	38	38

### Bolted Rotary cleaning ball 插销式旋转式清洗球

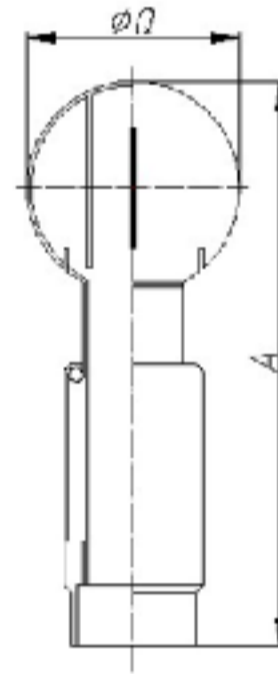


Item	Size	1"	1 1/4"	1 1/2"	2"	2 1/2"
A		135.0	137.0	137.0	168.0	190.0
Q		53.0	53.0	53.0	63.0	76.0

#### Technical parameter

Item	Size	1"-1 1/2"	2"	2 1/2"
Pressure(bar)		2	2	2
Cleaning radius(m)		1.25	1.5	2.0
Fluxation (m <sup>3</sup> /h)		12	38	38

### Welded Rotary cleaning ball 焊接式旋转式清洗球

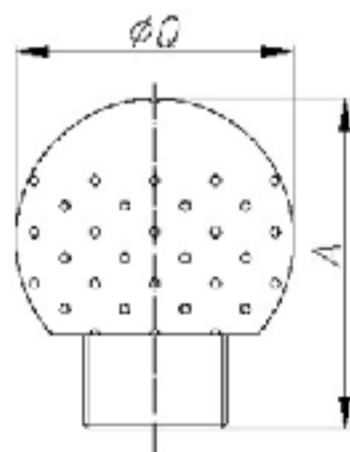


Item	Size	1"	1 1/4"	1 1/2"	2"	2 1/2"
A		143.0	145.0	145.0	180.0	200.0
Q		53.0	53.0	53.0	63.0	76.0

#### Technical parameter

Item	Size	1"-1 1/2"	2"	2 1/2"
Pressure(bar)		2	2	2
Cleaning radius(m)		1.25	1.5	2.0
Fluxation (m <sup>3</sup> /h)		12	38	38

### Threaded Fixed cleaning ball 螺纹式固定清洗球

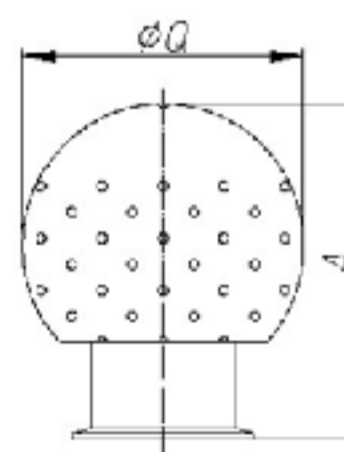


Item	Size	1"	1 1/4"	1 1/2"	2"
A		72.0	85.0	87.0	102.0
Q		63.0	76.0	76.0	91.0

#### Technical parameter

Item	Size	1"	1 1/4"-1 1/2"	2"	2 1/2"
Pressure(bar)		2.5	2.5	3.5	3.5
Cleaning radius(m)		1.0~1.25	1.25~1.75	2.0~3.0	3.0~3.5
360°/180°Fluxation (m <sup>3</sup> /h)		17/10	23/17	55/38	58/41

### Clamped Fixed cleaning ball 卡箍式固定清洗球



Item	Size	1"	1 1/4"	1 1/2"	2"	2 1/2"
A		80.0	93.0	93.0	108.0	115.0
Q		63.0	76.0	76.0	91.0	100.0

#### Technical parameter

Item	Size	1"	1 1/4"-1 1/2"	2"	2 1/2"
Pressure(bar)		2.5	2.5	3.5	3.5
Cleaning radius(m)		1.0~1.25	1.25~1.75	2.0~3.0	3.0~3.5
360°/180°Fluxation (m <sup>3</sup> /h)		17/10	23/17	55/38	58/41

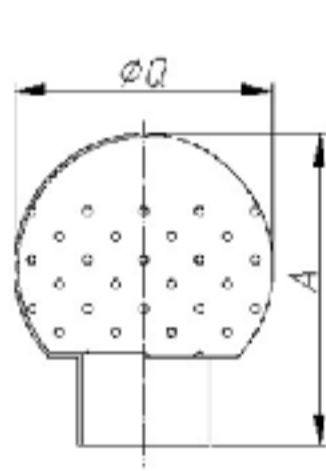


# CANG ZHOU CHANGYUAN FITTINGS CO.,LTD

No.26 Shigang Road,Development Zone,Cangzhou,Hebei,China 061000 E-mail: [Con-well@vip.163.com](mailto:Con-well@vip.163.com)

## Drawings of Sanitary Cleaning Ball Series (Measures:mm)

### Welded Fixed cleaning ball 焊接式固定清洗球

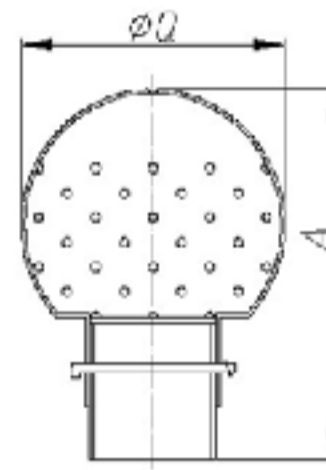


Item \ Size	1"	1 1/2"	2"	2 1/2"
A	72.0	85.0	87.0	102.0
Q	53.0	63.0	91.0	100.0

#### Technical parameter

Item \ Size	1"	1 1/2"	2"	2 1/2"
Pressure(bar)	2.5	2.5	3.5	3.5
Cleaning radius(m)	1.0~1.25	1.25~1.75	2.0~3.0	3.0~3.5
360°/180°Fluxation (m <sup>3</sup> /h)	17/10	23/17	55/38	58/41

### Bolted Fixed cleaning ball 插销式固定清洗球

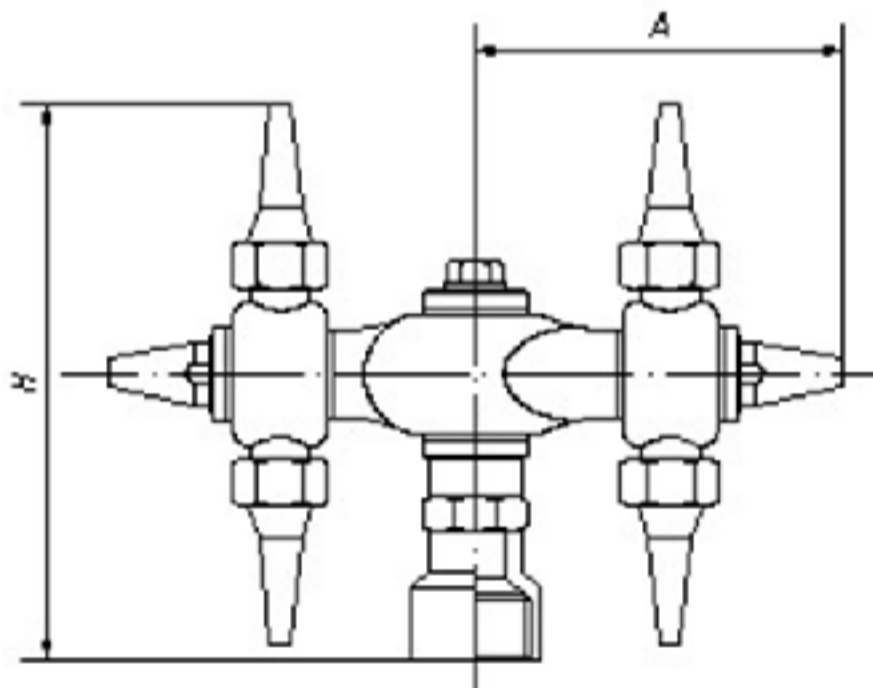


Item \ Size	1"	1 1/2"	2"	2 1/2"
A	95.0	110.0	125.0	135.0
Q	63.0	76.0	91.0	100.0

#### Technical parameter

Item \ Size	1"	1 1/2"	2"	2 1/2"
Pressure(bar)	2.5	2.5	3.5	3.5
Cleaning radius(m)	1.0~1.25	1.25~1.75	2.0~3.0	3.0~3.5
360°/180°Fluxation (m <sup>3</sup> /h)	17/10	23/17	55/38	58/41

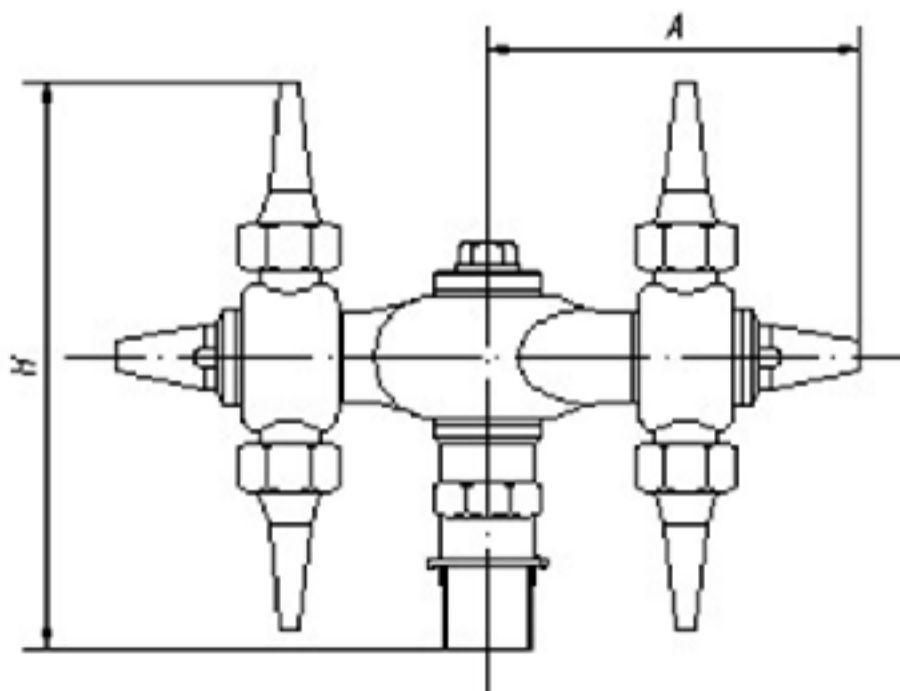
### Threaded Rotary cleaning ball 螺纹式旋转清洗器



#### Technical parameter

Item \ Size	1"	1 1/2"	2"
A	118.0	142.0	145.0
H	165.0	189.0	191.0
Pressure(bar)	1.5~2.0	1.8~2.5	2.5~3.0
Cleaning radius(m)	2.0~3.0	2.5~3.0	3.5~4.0
Fluxation (m <sup>3</sup> /h)	23	38	60

### Bolted Rotary cleaning ball 插销式旋转清洗器



#### Technical parameter

Item \ Size	1"	1 1/2"	2"
A	118.0	142.0	145.0
H	175.0	200.0	205.0
Pressure(bar)	1.5~2.0	1.8~2.5	2.5~3.0
Cleaning radius(m)	2.0~3.0	2.5~3.0	3.5~4.0
Fluxation (m <sup>3</sup> /h)	23	38	60



