

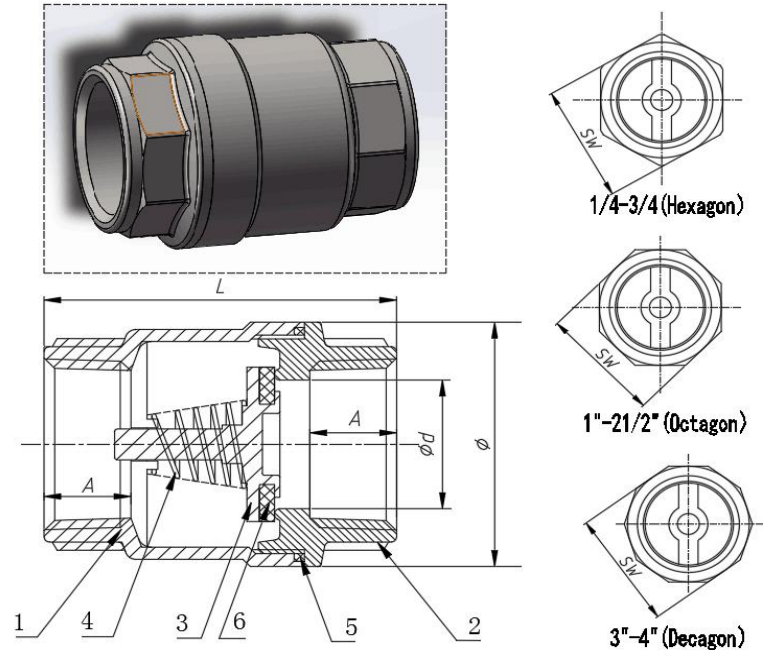


Cangzhou Changyuan Fittings Co.,ltd

Add:No.26 Shigang Road,Development Zone,Cangzhou ,Hebei,China Pc:061000

[Http://www.con-well.com](http://www.con-well.com) email:con-well@vip.163.com

2PC SPRING VERTICAL CHECK VALVE (mm)



Size	d	A	L	Φ	SW
1/4	11	10.5	49	30	17
3/8	12.5	10.5	49	30	20.5
1/2	15	13.5	53.5	35	25
3/4	20	14.5	58	41	30.5
1"	25	16	65	47.5	37.5
1 1/4	32	18.5	72.5	56.5	46.5
1 1/2	40	18.5	76	66.5	53
2"	50	22.5	88.5	85.5	65
2 1/2"	65	25	105	108	80.5
3"	76	28.5	116	124	94
4"	94	34	146	153	120

MATERIAL LIST

ITEM	DESCRIPTION	MATERIAL
1	BODY	304/316
2	CAP	304/316
3	STEM	304/316
4	SPRING	304/316
5	BODY SEAT	PTFE
6	GASKET	NBR/EPDM/VITON

FEATURES:

- Working pressure: 200PSI(PN16)
- Suitable medium: W.O.G.
- Thread: ISO7/1, ISO228, BSPT, NPT...
- Inspection Testing: API598, EN12266.