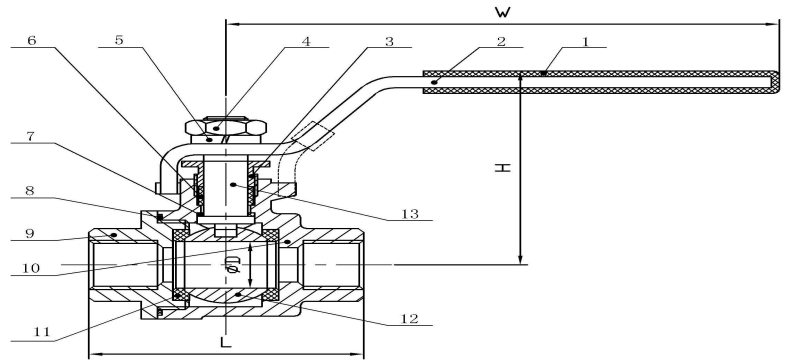
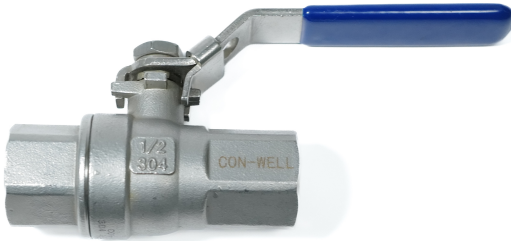




# Cangzhou Changyuan Fittings Co.,Ltd

Add:No.26 Shigang Road,Development Zone,Cangzhou ,Hebei,China Pc:061000

[Http://www.con-well.com](http://www.con-well.com) email:con-well@vip.163.com



## 2PC BALL VALVE ,DIN3202/4-M3 (FULL PORT) (mm)

DN	G	D	L	H	W	Unit weight(KG)	Qty/Carton	Note
8	1/4"	9.0	55.0	46.0	100.0			
10	3/8"	12.5	60.0	47.0	100.0			
15	1/2"	15.0	75.0	47.0	100.0			
20	3/4"	20.0	80.0	57.5	112.0			
25	1"	25.0	90.0	61.0	112.0			
32	1 1/4"	32.0	110.0	77.5	145.0			
40	1 1/2"	38.0	120.0	82.0	145.0			
50	2"	50.0	140.0	98.0	165.0			
65	2 1/2"	65.0	185.0	118.0	230.0			
80	3"	76.0	205.0	127.5	230.0			
100	4"	94.0	240.0	172.0	300.0			

## MATERIAL LIST

ITEM	DESCRIPTION	MATERIAL
1	PLASTIC COVER	PLASTIC
2	HANDLE	304/201
3	GLAND NUT	304
4	STEM NUT	304
5	THRUST WASHER	304
6	STEM PACKING	PTFE
7	STEM SEAL	PTFE
8	BODY SEAL	PTFE
9	CAP	CF8/CF8M
10	BODY	CF8/CF8M
11	BALL SEAT	RPTFE
12	BALL	304/316
13	STEM	304

## FEATURES:

- Handle with lock can be choiced.
- Working pressure:1000PSI(PN64).
- Working temperature:-10℃ to 150℃.
- Suitable medium:W.O.G.
- Thread: BSP,BSPT,DIN,NPT.
- PED97/23/EC(CE0038)Approved.
- Inspection Testing:API598,EN12266.
- Size of carton:28.5×25.5×18.5cm.
- Size of carton for size 4":44.5×28×19.50cm.
- Length confirm to DIN 3202/4-M3