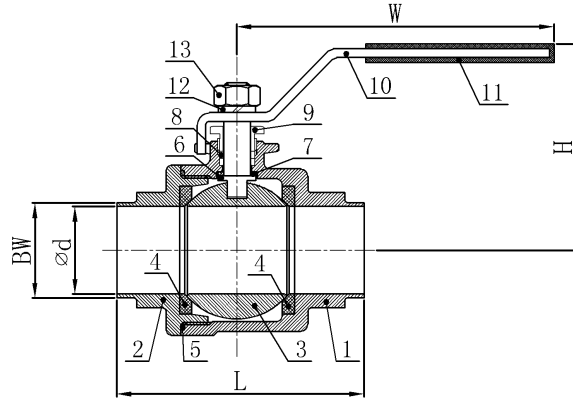


Cangzhou Changyuan Fittings Co.,ltd

Add:No.26 Shigang Road,Development Zone,Cangzhou ,Hebei,China Pc:061000

Http://www.con-well.com email:con-well@vip.163.com



2PC卫生级对焊球阀

2PC Sanitary ball valves, BW type

SIZE	Φd	BW	L	H	W
1S	22.5	25.5	69.0	60.0	112.0
1.5S	35.0	38.0	101.0	80.0	145.0
2S	47.0	51.0	120.0	96.0	165.0

MATERIAL LIST

ITEM	DESCRIPTION	MATERIAL
1	BODY	CF8/CF8M
2	CAP	CF8/CF8M
3	BALL	304/316
4	BALL SEAT	PTFE
5	JOINT GASKET	PTFE
6	STEM	304/316
7	THRUST WASHER	PTFE
8	STEM PACKING	PTFE
9	GLAND NUT	304
10	HANDLE	304
11	PLASTIC COVER	PLASTIC
12	STEM WASHER	304
13	STEM NUT	304

FEATURES:

- 连接方式：对焊
- 带锁式手柄：可选
- 表面处理：镜面抛光
- 材质：304、304L、316、316L；

- Connection: welding
- Locking Device Handle(Optional)
- Surface: Mirror polish
- Material: 304、304L、316、316L；