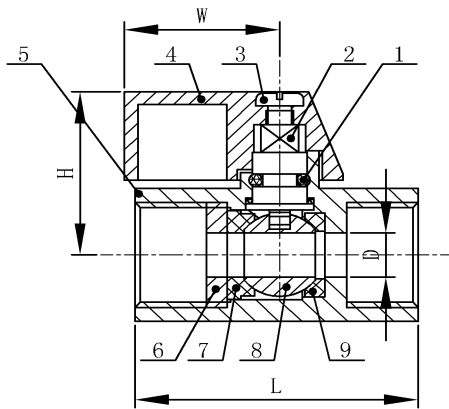


MINI BALL VALVE (Measures:mm)

MINI BALL VALVE Type- I F/F (mm)



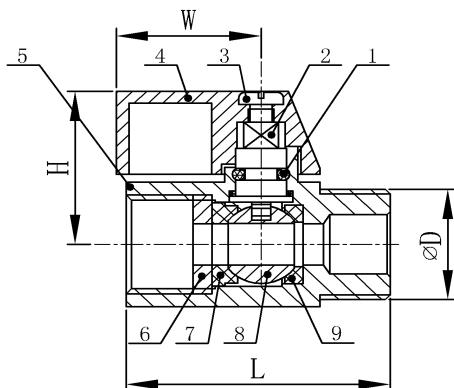
MATERIAL LIST

ITEM	DESCRIPTION	MATERIAL
1	O-RING	RUBBER
2	STEM	304
3	BOLT	304
4	LEVER	ALUMINUM ALLOY
5	BODY	304/316
6	CAP	304/316
7	BALL SEAT(A)	RPTFE
8	BALL	304/316
9	BALL SEAT(B)	RPTFE

DIMENSION TABLE(mm)

DN	Size	D	L	H	W
8	1/4"	7.0	41.5	25.0	22.8
10	3/8"	7.0	41.5	25.0	22.8
15	1/2"	9.0	47.0	28.5	22.8
20	3/4"	12.5	54.0	31.5	22.8
25	1"	15.0	65.0	34.0	22.8

MINI BALL VALVE Type- II M/F (mm)



MATERIAL LIST

ITEM	DESCRIPTION	MATERIAL
1	O-RING	RUBBER
2	STEM	304
3	BOLT	304
4	LEVER	ALUMINUM ALLOY
5	BODY	304/316
6	CAP	304/316
7	BALL SEAT(A)	RPTFE
8	BALL	304/316
9	BALL SEAT(B)	RPTFE

DIMENSION TABLE(mm)

DN	Size	D	L	H	W
8	1/4"	7.0	42.0	25.0	22.8
10	3/8"	7.0	42.0	25.0	22.8
15	1/2"	9.0	47.0	28.5	22.8
20	3/4"	12.5	54.0	31.5	22.8
25	1"	15.0	65.0	34.0	22.8



CANG ZHOU CHANGYUAN FITTINGS CO.,LTD

0.26 Shigang Road, Development Zone, Cangzhou, Hebei, China 061000 E-mail: Con-well@vip.163.com

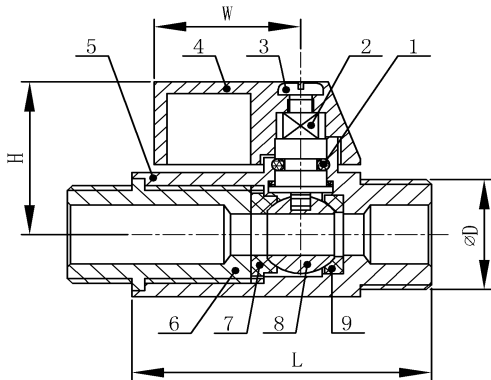
MINI BALL VALVE (Measures:mm)

MINI BALL VALVE Type-III M/M (mm)



MATERIAL LIST

ITEM	DESCRIPTION	MATERIAL
1	O-RING	RUBBER
2	STEM	304
3	BOLT	304
4	LEVER	ALUMINUM ALLOY
5	BODY	304/316
6	CAP	304/316
7	BALL SEAT(A)	RPTFE
8	BALL	304/316
9	BALL SEAT(B)	RPTFE



DIMENSION TABLE(mm)

DN	Size	D	L	H	W
8	1/4"	7.0	50	26.5	22.8
10	3/8"	7.0	50	26.5	22.8
15	1/2"	9.0	58	28.3	22.8
20	3/4"	12.5	70	31.5	22.8
25	1"	15.0	83	34.0	22.8