

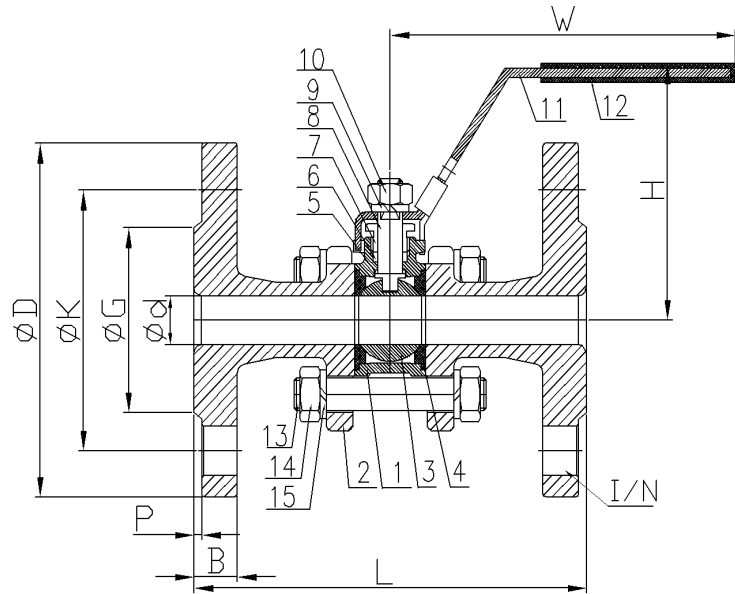
CANGZHOU CHANGYUAN FITTINGS CO.,LTD

No.26 Shigang Road,Development Zone,Cangzhou,Hebei,China

[Http://www.con-well.com](http://www.con-well.com) con-well@vip.163.com



3PC Flange Ball valve-PN40



Dimension list (mm) :

SIZE	Φd	L	ΦD	ΦK	ΦG	B	P	I/N	H	W	
1/2"	15	130	95	65	45	16	2	4-Φ14	73	120	
3/4"	20	150	105	75	58	18			78		
1"	25	160	115	85	68				90	140	
1 1/4"	32	180	140	100	78				95		
1 1/2"	38	200	150	110	88		20	3	4-Φ18	100	220
2"	50	230	165	125	102	22	120				
2 1/2"	65	290	185	145	122	24	8-Φ18			125	250
3"	76	310	200	160	138	24				135	
4"	94	350	235	190	162	24	8-Φ22	150	280		

PART LIST

ITEM	PARTS	MATERIAL
1	BODY	CF8/CF8M
2	CAP	CF8/CF8M
3	BALL	CF8/CF8M
4	BALL SEAT	RPTFE
5	THRUST WASHER	PTFE
6	STEM PACKING	PTFE
7	GLAND NUT	304
8	STEM	304
9	SPRING WASHER	304
10	STEM NUT	304
11	HANDLE	201/304
12	PLASTIC COVER	PLASTIC
13	BOLTS	304
14	BOLTS NUT	304
15	BOLTS WASHER	304

FEATURES:

- Handle with lock can be choiced.
- Working pressure:PN40
- Pressure test: API 598
- Working temperature:-10℃ to 150℃.
- Suitable medium:W.O.G.
- PED97/23/EC(CE0038)Approved.
- Inspection
- Flange End:DIN EN 1092-1
- Face to face: GB/T 12221-1989
- Full bore
- Blow-out proof stem