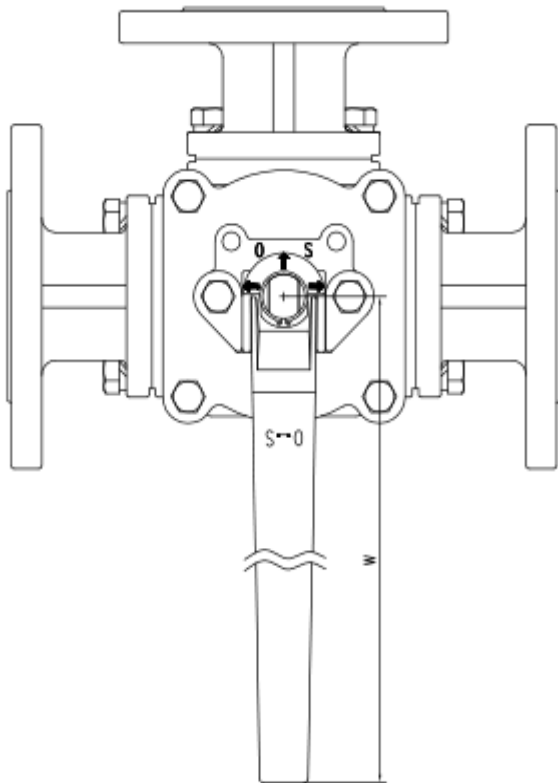
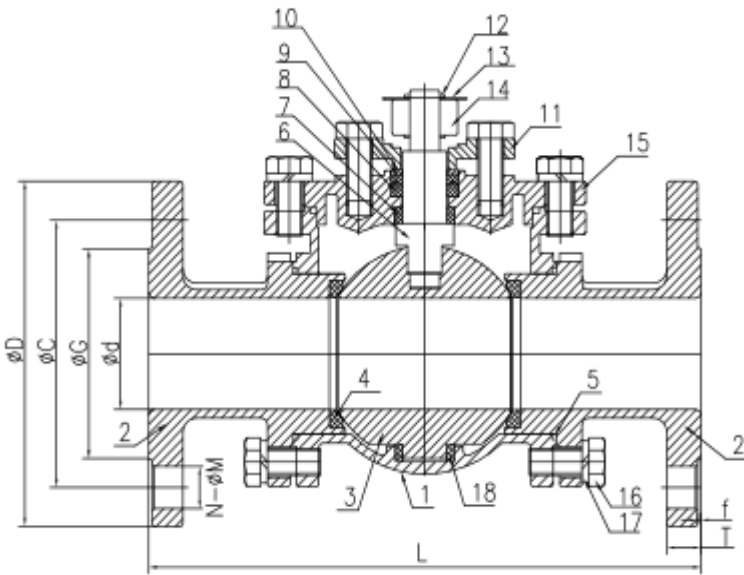


# Cangzhou Changyuan Fittings Co.,Ltd

[Http://www.con-well.com](http://www.con-well.com) email:con-well@vip.163.com



## 3-WAY FLANGED BALL VALVE-10K

ITEM	DESCRIPTION	MATERIAL
1	BODY	CF8/CF8M
2	CAP-1#	CF8/CF8M
3	BALL	CF8/CF8M
4	BALL SEAT	RPTFE
5	JOINT GASKET	PTFE
6	STEM	304/316
7	THRUST WASHER	PTFE
8	STEM PACKING 2#	PTFE
9	STEM PACKING 1#	PTFE
10	FLAT PAD	304
11	GLAND	CF8
12	SHAFT CIRCLIP	304
13	SIGNAGE	AL
14	HANDLE	301/304
15	CAP-2#	CF8/CF8M
16	BOLT	304
17	SPRING WASHERS	304
18	GASKET	RPTFE

## 3-WAY FLANGED BALL VALVE-10K

SIZE	Φd	ΦD	ΦC	ΦG	T	f	N-ΦM	W	L
1"	25	125	90	67	14	1	4-Φ19	155	200
1 1/2"	38	140	105	81	16	2	4-Φ19	240	240
2"	50	155	120	96	16	2	4-Φ19	240	260