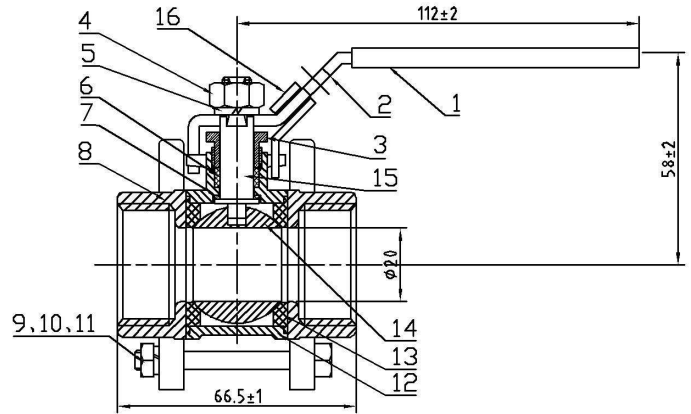


Cangzhou Changyuan Fittings Co.,ltd

Add:No.26 Shigang Road,Development Zone,Cangzhou ,Hebei,China Pc:061000

[Http://www.con-well.com](http://www.con-well.com) email:con-well@vip.163.com

3-PC BALL VALVE ,REDUCED BORE TYPE (mm)



MATERIAL LIST

ITEM	DESCRIPTION	MATERIAL
1	PLASTIC COVER	PLASTIC
2	HANDLE	304
3	GLAND NUT	304
4	STEM NUT	304
5	THRUST WASHER	304
6	STEM PACKING	PTFE
7	THRUST WASHER	PTFE
8	CAP	WCB/CF8/CF8M
9	BOLT	304
10	NUT	304
11	THRUST WASHER	304
12	BODY	WCB/CF8/CF8M
13	SEAT	RPTFE
14	BALL	304/316
15	STEM	304/316
16	LOCKING	304

FEATURES:

- Handle with lock can be choiced.
- Working pressure: CL300.
- Working temperature:-10℃ to 150℃.
- Suitable medium:W.O.G.
- Thread: BSP,BSPT,DIN,NPT, G,SW.
- PED97/23/EC(CE0038)Approved.
- Inspection Testing:API598,EN12266.
- Size of carton:28×23×18.5cm.
- Size of carton for size 4":
43.5×27×18.50cm.