



Cangzhou Changyuan Fittings Co.,ltd

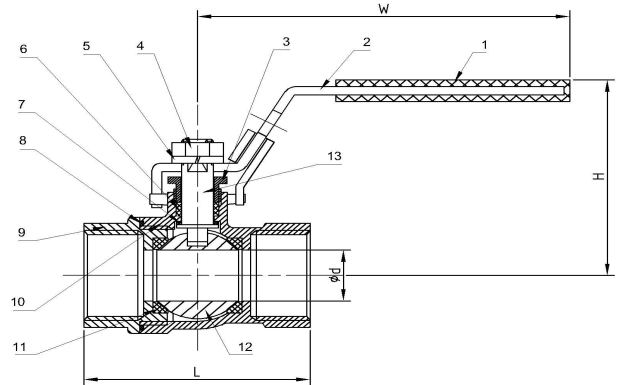
Con-Well Metal Vietman Co.,ltd

Vietnam plant: Lot 12, N11 Road, Dat Do I Industrial Zone, Phuoc Long Tho Ward, Dat Do District, Ba Ria Vung Tau Province

Head office: No.33 Jiuhe East Road,Development Zone,Cangzhou,Hebei,China 061000

Casting&Forging Plant: No.26 Shigang Road,Development Zone,Cangzhou,Hebei,China 061000

Http://www.con-well.com E-mail: con-well@vip.163.com; sale@con-well.com



2PC BALL VALVE, Type I, FULL PORT (mm)

DN	G	d	L	H	W
15	1/2"	15.0	54.0	48.0	103.0
20	3/4"	20.0	58.0	51.0	125.0
25	1"	25.0	73.0	63.0	125.0
32	1 1/4"	32.0	84.0	78.0	155.0
40	1 1/2"	38.0	92.0	82.0	155.0
50	2"	50.0	115.0	99.0	187.0

MATERIAL LIST

ITEM	DESCRIPTION	MATERIAL
1	PLASTIC COVER	PLASTIC
2	HANDLE	304/201
3	GLAND NUT	304
4	STEM NUT	304
5	THRUST WASHER	304
6	STEM PACKING	PTFE
7	STEM SEAL	PTFE
8	BODY SEAL	PTFE
9	CAP	CF8/CF8M
10	BODY	CF8/CF8M
11	BALL SEAT	RPTFE
12	BALL	304/316
13	STEM	304

FEATURES:

- Handle with lock can be choiced.
- Working pressure:1000PSI(PN64).
- Working temperature:-10°C to 150°C.
- Suitable medium:W.O.G.
- Thread: BSP,BSPT,DIN,NPT.
- PED97/23/EC(CE0343)Approved.
- Inspection Testing:API598,EN12266.