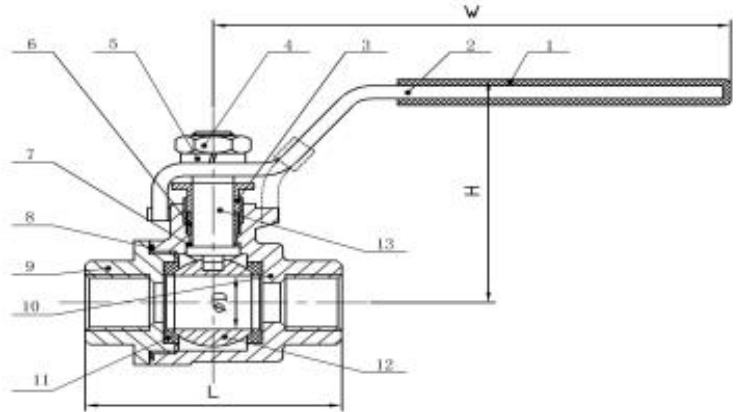




Cangzhou Changyuan Fittings Co.,ltd Con-Well Metal Vietman Co.,ltd

Vietnam plant: Lot 12, N11 Road, Dat Do I Industrial Zone, Phuoc Long Tho Ward, Dat Do District, Ba Ria Vung Tau Province
 Head office: No.33 Jiuhe East Road,Development Zone,Cangzhou,Hebei,China 061000
 Casting&Forging Plant: No.26 Shigang Road,Development Zone,Cangzhou,Hebei,China 061000
 Http://www.con-well.com E-mail: con-well@vip.163.com; sale@con-well.com



2PC BALL VALVE NORMAL TYPE III (FULL PORT) (mm)

DN	G	D	L	H	W	EX
15	1/2"	15.0	56.0	48.0	102.0	25.0
20	3/4"	20.0	64.5	59.0	113.0	30.5
25	1"	25.0	75.0	62.0	113.0	38.0
32	1 1/4"	32.0	86.5	78.0	148.0	46.5
40	1 1/2"	38.0	96.5	83.0	148.0	52.5
50	2"	50.0	116.5	99.0	165.0	65.0

MATERIAL LIST

ITEM	DESCRIPTION	MATERIAL
1	PLASTIC COVER	PLASTIC
2	HANDLE	304/201
3	GLAND NUT	304
4	STEM NUT	304
5	THRUST WASHER	304
6	STEM PACKING	PTFE
7	STEM SEAL	PTFE
8	BODY SEAL	PTFE
9	CAP	CF8/CF8M
10	BODY	CF8/CF8M
11	BALL SEAT	RPTFE
12	BALL	304/316
13	STEM	304

FEATURES:

- Handle with lock can be choiced.
- Working pressure:1000PSI(PN64).
- Working temperature:-10°C to 150°C.
- Suitable medium:W.O.G.
- Thread: BSP,BSPT,DIN,NPT.
- PED97/23/EC(CE0343)Approved.
- Inspection Testing:API598,EN12266.