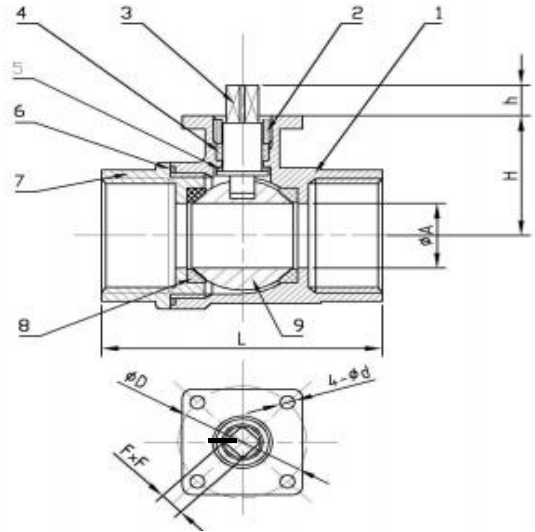




# Cangzhou Changyuan Fittings Co.,ltd Con-Well Metal Vietnam Co.,ltd

Vietnam plant: Lot 12, N11 Road, Dat Do I Industrial Zone, Phuoc Long Tho Ward, Dat Do District, Ba Ria Vung Tau Province  
 Head office: No.33 Jiuhe East Road,Development Zone,Cangzhou,Hebei,China 061000  
 Casting&Forging Plant: No.26 Shigang Road,Development Zone,Cangzhou,Hebei,China 061000  
 Http://www.con-well.com E-mail: con-well@vip.163.com; sale@con-well.com



## 2PC BALL VALVE WITH MOUNTING PAD ISO5211 (FULL PORT)

DN	H	h	A	L	D	d	F
15	34.5	7.0	15.0	57.0	36.0	6.0	9.0
20	38.5	8.0	20.0	64.0	36.0	6.0	9.0
25	42.5	8.0	25.0	75.0	36.0	6.0	9.0
32	47.5	9.0	32.0	88.0	36.0	6.0	9.0
40	57.5	16.0	38.0	95.0	50.0	7.0	14.0
50	65	16.0	50.0	119.0	50.0	7.0	14.0

## MATERIAL LIST

ITEM	DESCRIPTION	MATERIAL
1	PLASTIC COVER	PLASTIC
2	HANDLE	304/201
3	GLAND NUT	304
4	STEM NUT	304
5	THRUST WASHER	304
6	STEM PACKING	PTFE
7	STEM SEAL	PTFE
8	BODY SEAL	PTFE
9	CAP	CF8/CF8M
10	BODY	CF8/CF8M
11	BALL SEAT	RPTFE
12	BALL	304/316
13	STEM	304

### FEATURES:

- Working pressure:1000PSI(PN64).
- Working temperature:-10°C to 150°C.
- Suitable medium:W.O.G.
- Thread: BSP,BSPT,DIN,NPT.
- PED97/23/EC(CE0343)Approved.
- Inspection Testing:API598,EN12266.