



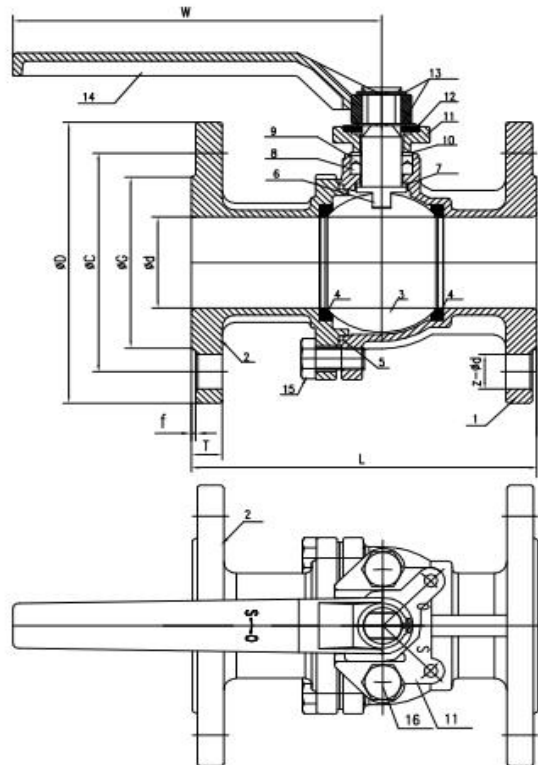
Cangzhou Changyuan Fittings Co.,ltd
Con-Well Metal Vietnam Co.,ltd

Vietnam plant: Lot 12, N11 Road, Dat Do I Industrial Zone, Phuoc Long Tho Ward, Dat Do District, Ba Ria Vung Tau Province

Head office: No.33 Jiuhe East Road,Development Zone,Cangzhou Hebei,China 061000

Casting&Forging Plant: No.26 ShigangRoad,Development Zone,Cangzhou Hebei,China 061000

Http://www.con-well.com E-mail: con-well@vip.163.com; sale@con-well.com



2-PC FLANGED BALL VALVE-10K

ITEM	DESCRIPTION	MATERIAL
1	BODY	CF8/CF8M
2	CAP	CF8/CF8M
3	BALL	CF8/CF8M
4	BALL SEAT	RPTFE
5	JOINT GASKET	PTFE
6	STEM	304/316
7	THRUST WASHER	PTFE
8	STEM PACKING 2#	PTFE
9	STEM PACKING 1#	PTFE
10	FLAT PAD	304
11	GLAND	CF8
12	STOPPER	304
13	SHAFT CIRCLIP	304
14	HANDLE	304/201/Ductile iron
15	BOLT	304
16	BOLT	304

2-PC FLANGED BALL VALVE-10K

SIZE	Φd	ΦD	ΦC	ΦG	T	f	N-ΦM	W	L
1/2"	15	95	70	51	12	1	4-Φ15	125	108
3/4"	20	100	75	56	14	1	4-Φ15	125	117
1"	25	125	90	67	14	1	4-Φ19	155	127
1 1/4"	32	135	100	76	16	2	4-Φ19	155	140
1 1/2"	38	140	105	81	16	2	4-Φ19	240	165
2"	50	155	120	96	16	2	4-Φ19	240	178
2 1/2"	65	175	140	116	18	2	4-Φ19	240	190
3"	76	185	150	126	18	2	8-Φ19	350	203
4"	94	210	175	151	18	2	8-Φ19	350	229