



Cangzhou Changyuan Fittings Co.,ltd

Con-Well Metal Vietnam Co.,ltd

Vietnam plant: Lot 12, N11 Road, Dat Do I Industrial Zone, Phuoc Long Tho Ward, Dat Do District, Ba Ria Vung Tau Province

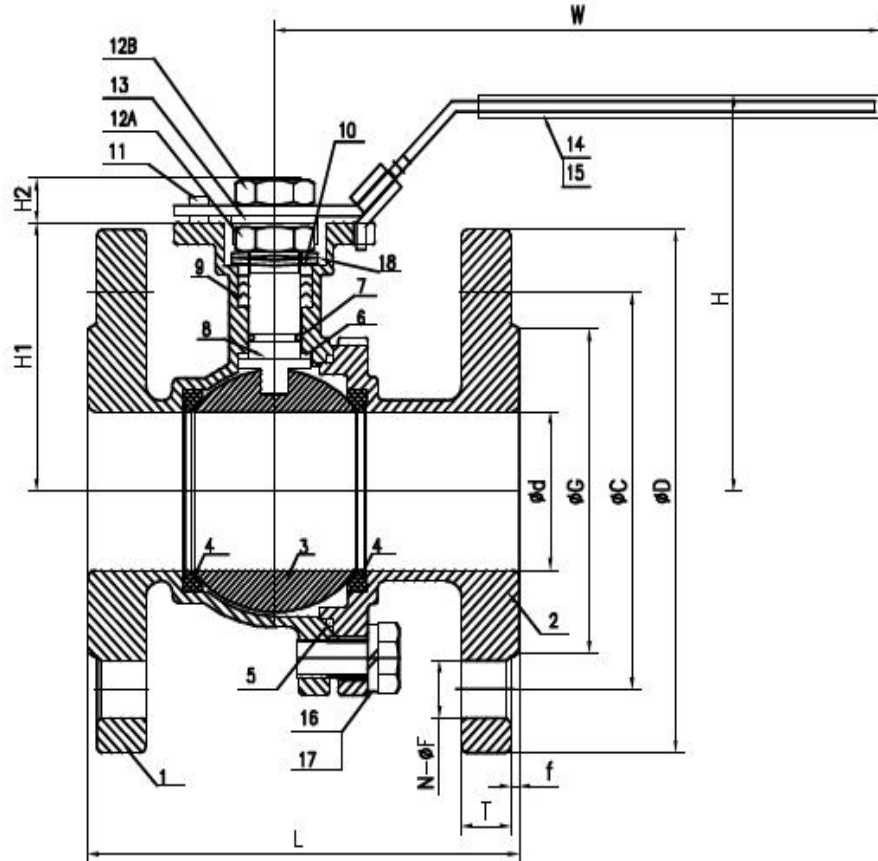
Head office: No.33 Jiuhe East Road,Development Zone,Cangzhou,Hebei,China 061000

Casting&Forging Plant: No.26 Shigang Road,Development Zone,Cangzhou,Hebei,China 061000

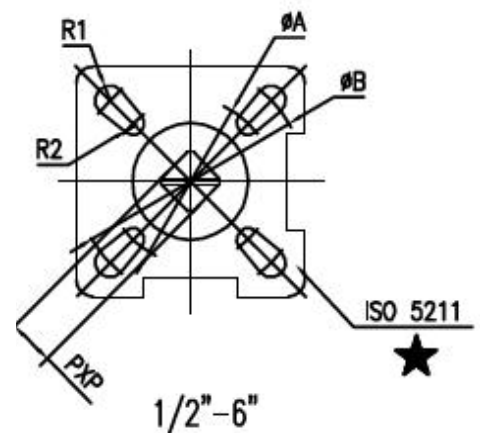
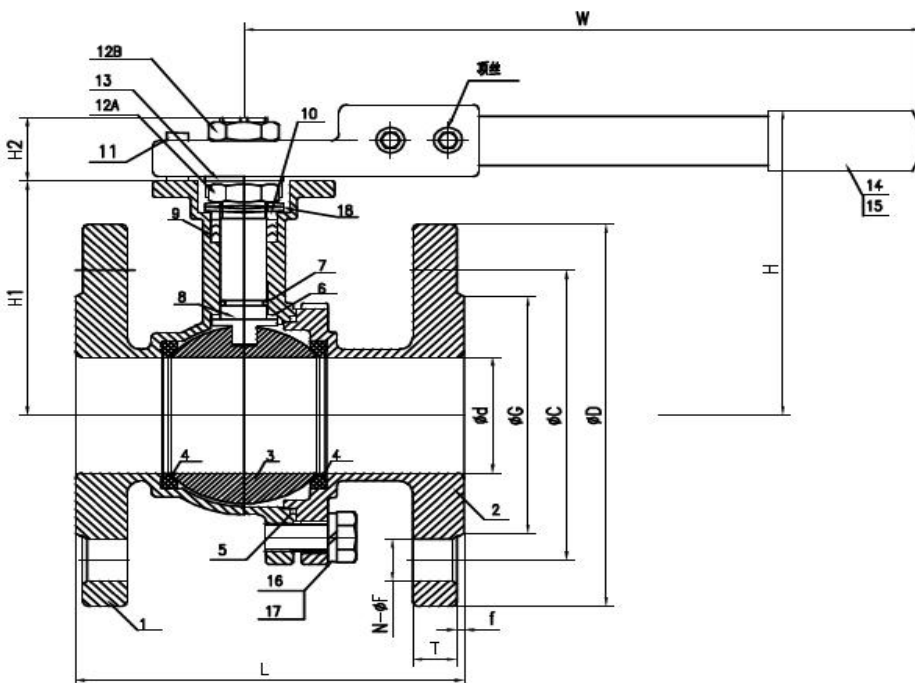
Http://www.con-well.com E-mail: con-well@vip.163.com; sale@con-well.com

2PC FLANGED BALL VALVES , DIRECT MOUNTING PAD, CLASS 150LB

1/2"-4"



5"-6"





Cangzhou Changyuan Fittings Co.,ltd Con-Well Metal Vietnam Co.,ltd

Vietnam plant: Lot 12, N11 Road, Dat Do I Industrial Zone, Phuoc Long Tho Ward, Dat Do District, Ba Ria Vung Tau Province

Head office: No.33 Jiuhe East Road,Development Zone,Cangzhou,Hebei,China 061000

Casting&Forging Plant: No.26 Shigang Road,Development Zone,Cangzhou,Hebei,China 061000

Http://www.con-well.com E-mail: con-well@vip.163.com; sale@con-well.com

2PC FLANGED BALL VALVES , DIRECT MOUNTING PAD, CLASS 150LB, Dimension list

ITEM	DESCRIPTION	MATERIAL
1	BODY	CF8/CF8M
2	CAP	CF8/CF8M
3	BALL	CF8/CF8M
4	BALL SEAT	RPTFE
5	JOINT GASKET	PTFE
6	THRUST WASHER	PTFE
7	O-Ring	NBR
8	STEM	304
9	STEM PACKING	PTFE
10	FLAT PAD	304
11	STOP BOLT	304
12AB	NUT	304
13	WASHER	304
14	HANDLE	304/201
15	PLASTIC COVER	PLASTIC
16	BOLT	304
17	BOLT WASHER	304
18	BELLEVILLE WASHER	304



Size	1/2"	3/4"	1"	1 1/4"	1 1/2"	2"	2 1/2"	3"	4"	5"	6"
Φd	15	20	25	32	38	50	65	76	94	120	150
ΦD	90	100	110	115	125	150	180	190	230	255	280
ΦC	60.3	69.9	79.4	88.9	98.4	120.7	139.7	152.4	190.5	216	241.3
ΦG	35	43	51	63.5	73	92	105	127	157	186	216
N-ΦF	4-Φ16	4-Φ16	4-Φ16	4-Φ16	4-Φ16	4-Φ19	4-Φ19	4-Φ19	8-Φ19	8-Φ22.4	8-Φ22.4
T	8	8.9	9.6	11.2	12.7	14.3	15.9	17.5	22.3	22.3	23.9
f	2	2	2	2	2	2	2	2	2	2	2
H1	50.6	55	59.5	72	78	86	100	111.5	140.8	161.5	184
H2	9	9	11	11	14	14	17	17	22	27	27
ΦA	36	36	42	42	50	50	70	70	70	102	102
ΦB	42	42	50	50	70	70	102	102	102	125	125
R1	3	3	3.5	3.5	4.5	4.5	5.5	5.5	5.5	5.5	5.5
R2	3	3	3	3	3.5	3.5	4.5	4.5	4.5	6.5	6.5
PXP	9	9	11	11	14	14	17	17	22	27	27
H	80	85	95	108	114	124	148	158	189	242	270
W	140	140	160	160	185	185	230	230	320	500	535
L	108	117	127	140	165	178	190	203	229	356	394