

3PC BALL VALVE WITH MOUNTING PAD ISO5211 (FULL PORT) (mm)

DN	H	h	W	L	D2	D1	d	B	ISO5211	M
8	39.0	9.0	9.0	54.0	42.0	36.0	11.0	120.5	F03/F04	M12*1.5
10	39.0	9.0	9.0	54.0	42.0	36.0	12.5	120.5	F03/F04	M12*1.5
15	39.0	9.0	9.0	61.0	42.0	36.0	15.0	120.5	F03/F04	M12*1.5
20	41.5	9.0	9.0	69.0	42.0	36.0	20.0	120.5	F03/F04	M12*1.5
25	47.0	11.0	11.0	79.0	50.0	42.0	25.0	140.0	F04/F05	M14*1.5
32	52.0	11.0	11.0	96.0	50.0	42.0	32.0	140.0	F04/F05	M14*1.5
40	62.0	14.0	14.0	102.0	70.0	50.0	38.0	170.0	F05/F07	M18*1.5
50	71.0	14.0	14.0	124.0	70.0	50.0	50.0	170.0	F05/F07	M18*1.5
65	89.0	18.0	17.0	158.0	102.0	70.0	65.0	230.0	F07/F10	M22*1.5
80	98.0	18.0	17.0	179.0	102.0	70.0	76.0	230.0	F07/F10	M22*1.5
100	129.0	22.0	22.0	220.0	102.0	70.0	94.0	300.0	F07/F10	M28*2

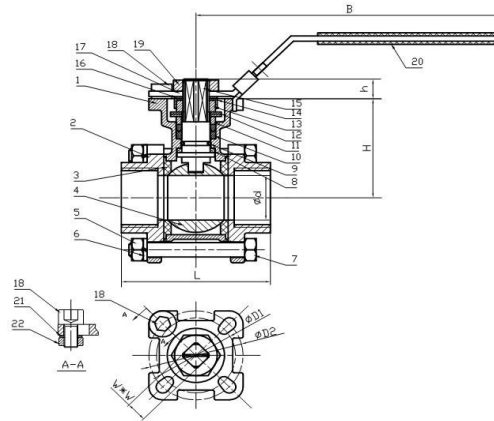
MATERIAL LIST

ITEM	DESCRIPTION	MATERIAL
1	BODY	CF8/CF8M
2	CAP	CF8/CF8M
3	BALL SEAL	RPTFE
4	BALL	SUS304/316
5	NUT-I	SUS304
6	THRUST WASHER	SUS304
7	BLOT	SUS304
8	STEM PACKING	RPTFE
9	O-RING	NBR
10	V-RING PACKING	PTFE
11	GLAND	SUS304

ITEM	DESCRIPTION	MATERIAL
12	SPRING WASHER	SUS301
13	STEM NUT	SUS304
14	STEM'S LOCK WASHER	SUS304
15	STEM	SUS304/316
16	WASHER	SUS301
17	HANDLE	SUS304
18	STOP PIN	SUS304
19	STEM NUT	SUS304
20	PLASTIC COVER	PLASTIC
21	WASHER	SUS304
22	NUT-II	SUS304

FEATURES:

- Working pressure:1000PSI(PN64).
- Working temperature:- 10C to 150C .
- Suitable medium:W.O.G.
- Thread: BSP,BSPT,DIN,NPT.
- PED97/23/EC(CE0343)Approved.
- Inspection Testing:API598,EN12266.



3PC BALL VALVE WITH MOUNTING PAD ISO5211 (DIN3202/4-M3, FULL PORT) (mm)

DN	H	h	W	L	D2	D1	d	B	ISO5211	M
15	39.0	9.0	9.0	73.0	42.0	36.0	15.0	120.5	F03/F04	M12*1.5
20	41.5	9.0	9.0	78.8	42.0	36.0	20.0	120.5	F03/F04	M12*1.5
25	47.0	11.0	11.0	88.8	50.0	42.0	25.0	140.0	F04/F05	M14*1.5
32	52.0	11.0	11.0	108.6	50.0	42.0	32.0	140.0	F04/F05	M14*1.5
40	62.0	14.0	14.0	118.6	70.0	50.0	38.0	170.0	F05/F07	M18*1.5
50	71.0	14.0	14.0	138.6	70.0	50.0	50.0	170.0	F05/F07	M18*1.5
65	89.0	18.0	17.0	183.5	102.0	70.0	65.0	230.0	F07/F10	M22*1.5
80	98.0	18.0	17.0	203.5	102.0	70.0	76.0	230.0	F07/F10	M22*1.5
100	129.0	22.0	22.0	238.6	102.0	70.0	94.0	300.0	F07/F10	M28*2

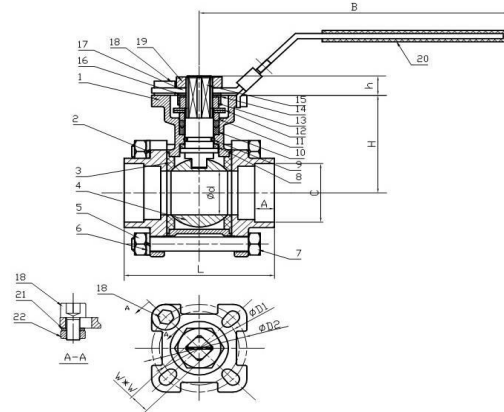
MATERIAL LIST

ITEM	DESCRIPTION	MATERIAL
1	BODY	CF8/CF8M
2	CAP	CF8/CF8M
3	BALL SEAL	RPTFE
4	BALL	SUS304/316
5	NUT-I	SUS304
6	THRUST WASHER	SUS304
7	BLOT	SUS304
8	STEM PACKING	RPTFE
9	O-RING	NBR
10	V-RING PACKING	PTFE
11	GLAND	SUS304

ITEM	DESCRIPTION	MATERIAL
12	SPRING WASHER	SUS301
13	STEM NUT	SUS304
14	STEM'S LOCK WASHER	SUS304
15	STEM	SUS304/316
16	WASHER	SUS301
17	HANDLE	SUS304
18	STOP PIN	SUS304
19	STEM NUT	SUS304
20	PLASTIC COVER	PLASTIC
21	WASHER	SUS304
22	NUT-II	SUS304

FEATURES:

- Working pressure: 1000PSI (PN64).
- Working temperature: -10C to 150C.
- Suitable medium: W.O.G.
- Thread: BSP, BSPT, DIN, NPT.
- PED97/23/EC (CE0343) Approved.
- Inspection Testing: API598, EN12266.



3PC BALL VALVE WITH MOUNTING PAD ISO5211 (SOCKET WELDING, FULL PORT) (mm)

DN	H	h	W	L	D2	D1	d	A	C	B	ISO5211	M
8	39.0	9.0	9.0	54.0	42.0	36.0	11.0	10.0	14.1	120.5	F03/F04	M12*1.5
10	39.0	9.0	9.0	54.0	42.0	36.0	12.5	10.0	17.6	120.5	F03/F04	M12*1.5
15	39.0	9.0	9.0	61.0	42.0	36.0	15.0	10.0	21.7	120.5	F03/F04	M12*1.5
20	41.5	9.0	9.0	69.0	42.0	36.0	20.0	13.0	27.1	120.5	F03/F04	M12*1.5
25	47.0	11.0	11.0	79.0	50.0	42.0	25.0	13.0	33.9	140.0	F04/F05	M14*1.5
32	52.0	11.0	11.0	96.0	50.0	42.0	32.0	13.0	42.6	140.0	F04/F05	M14*1.5
40	62.0	14.0	14.0	102.0	70.0	50.0	38.0	13.0	48.7	170.0	F05/F07	M18*1.5
50	71.0	14.0	14.0	124.0	70.0	50.0	50.0	16.0	61.1	170.0	F05/F07	M18*1.5
65	89.0	18.0	17.0	158.0	102.0	70.0	65.0	16.0	77.0	230.0	F07/F10	M22*1.5
80	98.0	18.0	17.0	179.0	102.0	70.0	76.0	16.0	89.8	230.0	F07/F10	M22*1.5
100	129.0	22.0	22.0	220.0	102.0	70.0	94.0	19.0	115.5	300.0	F07/F10	M28*2

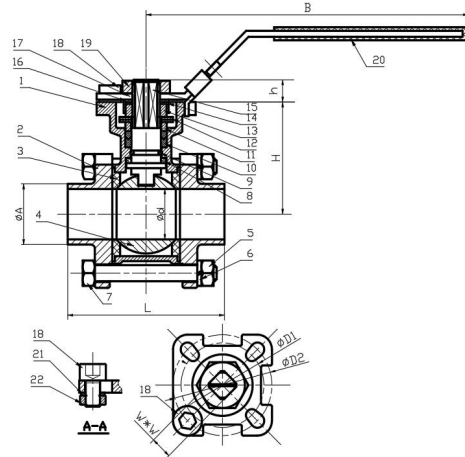
MATERIAL LIST

ITEM	DESCRIPTION	MATERIAL
1	BODY	CF8/CF8M
2	CAP	CF8/CF8M
3	BALL SEAL	RPTFE
4	BALL	SUS304/316
5	NUT-I	SUS304
6	THRUST WASHER	SUS304
7	BLOT	SUS304
8	STEM PACKING	RPTFE
9	O-RING	NBR
10	V-RING PACKING	PTFE
11	GLAND	SUS304

ITEM	DESCRIPTION	MATERIAL
12	SPRING WASHER	SUS301
13	STEM NUT	SUS304
14	STEM'S LOCK WASHER	SUS304
15	STEM	SUS304/316
16	WASHER	SUS301
17	HANDLE	SUS304
18	STOP PIN	SUS304
19	STEM NUT	SUS304
20	PLASTIC COVER	PLASTIC
21	WASHER	SUS304
22	NUT-II	SUS304

FEATURES:

- Working pressure: 1000PSI(PN64).
- Working temperature: - 10C to 150C .
- Suitable medium: W.O.G.
- Thread: BSP, BSPT, DIN, NPT.
- PED97/23/EC(CE0343) Approved.
- Inspection Testing: API598, EN12266.



3PC BALL VALVE WITH MOUNTING PAD ISO5211 (BUTT WELDING, FULL PORT) (mm)

DN	H	h	W	L	D2	D1	d	A	B	ISO5211	M
15	39.0	9.0	9.0	60.0	42.0	36.0	15.0	22.0	120.5	F03/F04	M12*1.5
20	41.5	9.0	9.0	70.0	42.0	36.0	20.0	27.5	120.5	F03/F04	M12*1.5
25	47.0	11.0	11.0	79.0	50.0	42.0	25.0	33.7	140.0	F04/F05	M14*1.5
32	52.0	11.0	11.0	96.0	50.0	42.0	32.0	44.2	140.0	F04/F05	M14*1.5
40	62.0	14.0	14.0	107.0	70.0	50.0	38.0	50.2	170.0	F05/F07	M18*1.5
50	71.0	14.0	14.0	122.0	70.0	50.0	50.0	62.0	170.0	F05/F07	M18*1.5
65	89.0	18.0	17.0	158.0	102.0	70.0	65.0	76.5	230.0	F07/F10	M22*1.5
80	98.0	18.0	17.0	179.0	102.0	70.0	76.0	92.5	230.0	F07/F10	M22*1.5
100	129.0	22.0	22.0	220.0	102.0	70.0	94.0	114.0	300.0	F07/F10	M28*2

MATERIAL LIST

ITEM	DESCRIPTION	MATERIAL
1	BODY	CF8/CF8M
2	CAP	CF8/CF8M
3	BALL SEAL	RPTFE
4	BALL	SUS304/316
5	NUT-I	SUS304
6	THRUST WASHER	SUS304
7	BLOT	SUS304
8	STEM PACKING	RPTFE
9	O-RING	NBR
10	V-RING PACKING	PTFE
11	GLAND	SUS304

ITEM	DESCRIPTION	MATERIAL
12	SPRING WASHER	SUS301
13	STEM NUT	SUS304
14	STEM'S LOCK WASHER	SUS304
15	STEM	SUS304/316
16	WASHER	SUS301
17	HANDLE	SUS304
18	STOP PIN	SUS304
19	STEM NUT	SUS304
20	PLASTIC COVER	PLASTIC
21	WASHER	SUS304
22	NUT-II	SUS304

FEATURES:

- Working pressure: 1000PSI (PN64).
- Working temperature: -10C to 150C.
- Suitable medium: W.O.G.
- Thread: BSP, BSPT, DIN, NPT.
- PED97/23/EC (CE0343) Approved.
- Inspection Testing: API598, EN12266.



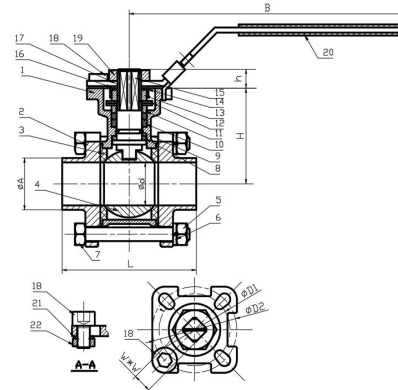
Cangzhou Changyuan Fittings Co.,ltd Con-Well Metal Vietnam Co.,ltd

Vietnam plant: Lot 12, N11 Road, Dat Do I Industrial Zone, Phuoc Long Tho Ward, Dat Do District, Ba Ria Vung Tau Province

Head office: No.33 Jiuhe East Road, Development Zone, Cangzhou, Hebei, China 061000

Casting&Forging Plant: No.26 Shigang Road, Development Zone, Cangzhou, Hebei, China 061000

Http://www.con-well.com E-mail: con-well@vip.163.com; sale@con-well.com



3PC BALL VALVE WITH MOUNTING PAD ISO5211 (LONG BUTT WELDING, FULL PORT) (mm)

DN	H	h	W	L	D2	D1	d	A	B	ISO521	M
15	39.0	9.0	9.0	224.0	42.0	36.0	15.0	21.3	120.5	F03/F04	M12*1.5
20	41.5	9.0	9.0	225.0	42.0	36.0	20.0	26.9	120.5	F03/F04	M12*1.5
25	47.0	11.0	11.0	243.0	50.0	42.0	25.0	34.5	140.0	F04/F05	M14*1.5
32	52.0	11.0	11.0	256.0	50.0	42.0	32.0	43.5	140.0	F04/F05	M14*1.5
40	62.0	14.0	14.0	259.0	70.0	50.0	38.0	50.0	170.0	F05/F07	M18*1.5
50	71.0	14.0	14.0	275.0	70.0	50.0	50.0	61.5	170.0	F05/F07	M18*1.5
65	89.0	18.0	17.0	334.0	102.0	70.0	65.0	77.0	230.0	F07/F10	M22*1.5
80	98.0	18.0	17.0	345.0	102.0	70.0	76.0	90.0	230.0	F07/F10	M22*1.5
100	129.0	22.0	22.0	365.0	102.0	70.0	94.0	114.0	300.0	F07/F10	M28*2

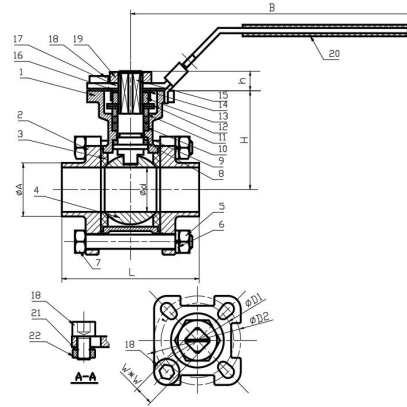
MATERIAL LIST

ITEM	DESCRIPTION	MATERIAL
1	BODY	CF8/CF8M
2	CAP	CF8/CF8M
3	BALL SEAL	RPTFE
4	BALL	SUS304/316
5	NUT-I	SUS304
6	THRUST WASHER	SUS304
7	BLOT	SUS304
8	STEM PACKING	RPTFE
9	O-RING	NBR
10	V-RING PACKING	PTFE
11	GLAND	SUS304

ITEM	DESCRIPTION	MATERIAL
12	SPRING WASHER	SUS301
13	STEM NUT	SUS304
14	STEM'S LOCK WASHER	SUS304
15	STEM	SUS304/316
16	WASHER	SUS301
17	HANDLE	SUS304
18	STOP PIN	SUS304
19	STEM NUT	SUS304
20	PLASTIC COVER	PLASTIC
21	WASHER	SUS304
22	NUT-II	SUS304

FEATURES:

- Working pressure: 1000PSI(PN64).
- Working temperature: - 10C to 150C .
- Suitable medium: W.O.G.
- Thread: BSP, BSPT, DIN, NPT.
- PED97/23/EC(CE0343) Approved.
- Inspection Testing: API598, EN12266.



3PC BALL VALVE WITH MOUNTING PAD ISO5211 (LONG BUTT WELDING, FULL PORT) (mm)

DN	H	h	W	L	D2	D1	d	A	B	ISO521	M
15	39.0	9.0	9.0	140.0	42.0	36.0	15.0	21.3	120.5	F03/F04	M12*1.5
20	41.5	9.0	9.0	140.0	42.0	36.0	20.0	26.9	120.5	F03/F04	M12*1.5
25	47.0	11.0	11.0	152.0	50.0	42.0	25.0	34.5	140.0	F04/F05	M14*1.5
32	52.0	11.0	11.0	165.0	50.0	42.0	32.0	43.5	140.0	F04/F05	M14*1.5
40	62.0	14.0	14.0	190.0	70.0	50.0	38.0	50.0	170.0	F05/F07	M18*1.5
50	71.0	14.0	14.0	203.0	70.0	50.0	50.0	61.5	170.0	F05/F07	M18*1.5
65	89.0	18.0	17.0	254.0	102.0	70.0	65.0	77.0	230.0	F07/F10	M22*1.5
80	98.0	18.0	17.0	280.0	102.0	70.0	76.0	90.0	230.0	F07/F10	M22*1.5
100	129.0	22.0	22.0	317.0	102.0	70.0	94.0	114.0	300.0	F07/F10	M28*2

MATERIAL LIST

ITEM	DESCRIPTION	MATERIAL
1	BODY	CF8/CF8M
2	CAP	CF8/CF8M
3	BALL SEAL	RPTFE
4	BALL	SUS304/316
5	NUT-I	SUS304
6	THRUST WASHER	SUS304
7	BLOT	SUS304
8	STEM PACKING	RPTFE
9	O-RING	NBR
10	V-RING PACKING	PTFE
11	GLAND	SUS304

ITEM	DESCRIPTION	MATERIAL
12	SPRING WASHER	SUS301
13	STEM NUT	SUS304
14	STEM'S LOCK WASHER	SUS304
15	STEM	SUS304/316
16	WASHER	SUS301
17	HANDLE	SUS304
18	STOP PIN	SUS304
19	STEM NUT	SUS304
20	PLASTIC COVER	PLASTIC
21	WASHER	SUS304
22	NUT-II	SUS304

FEATURES:

- Working pressure: 1000PSI(PN64).
- Working temperature: - 10C to 150C .
- Suitable medium: W.O.G.
- Thread: BSP, BSPT, DIN, NPT.
- PED97/23/EC(CE0343) Approved.
- Inspection Testing: API598, EN12266.