



Cangzhou Changyuan Fittings Co.,ltd

Con-Well Metal Vietnam Co.,ltd

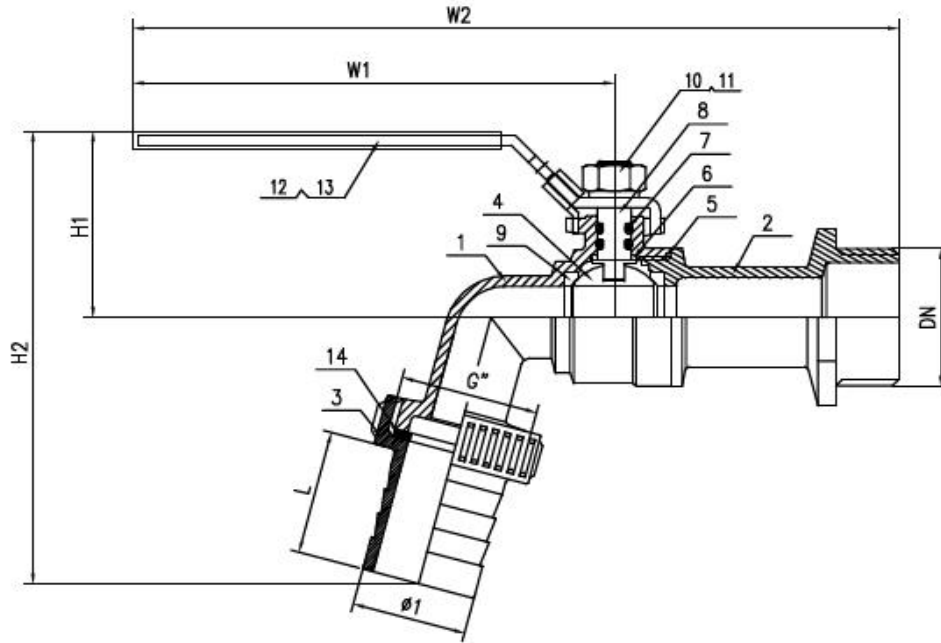
Vietnam plant: Lot 12, N11 Road, Dat Do I Industrial Zone, Phuoc Long Tho Ward, Dat Do District, Ba Ria Vung Tau Province

Head office: No.33 Jiuhe East Road,Development Zone,Cangzhou Hebei,China 061000

Casting&Forging Plant: No.26 ShigangRoad,Development Zone,Cangzhou Hebei,China 061000

Http://www.con-well.com E-mail: con-well@vip.163.com; sale@con-well.com

BIBCOCK VALVES Type II 花园水嘴球阀 II



MATERIAL LIST :

ITEM	DESCRIPTION	MATERIAL
1	BODY	CF8/CF8M
2	CAP	CF8/CF8M
3	NIPPLE	CF8/CF8M
4	BALL	CF8/CF8M
5	JOINT GASKET	PTFE
6	THRUST WASHER	PTFE
7	O-RING	NBR
8	STEM	304
9	BALL SEAT	RPTFE
10	STEM WASHER	304
11	STEM NUT	304
12	HANDLE	304
13	PLASTIC COVER	PLASTIC
14	NIPPLE GASKET	EPDM



Dimensions list (Measures:mm):

DN	G	H1	H2	W1	W2	Φ1	L1
1/2"	3/4"	41	85.5	91.5	145.5	13	21.5
3/4"	3/4"	44	93.5	91.5	154.5	16	23
1"	1"	45	110	115	184	27.5	30