

Cangzhou Changyuan Fittings Co.,ltd
Con-Well Metal Vietnam Co.,ltd

Vietnam plant: Lot 12, N11 Road, Dat Do I Industrial Zone, Phuoc Long Tho Ward, Dat Do District, Ba Ria Vung Tau Province

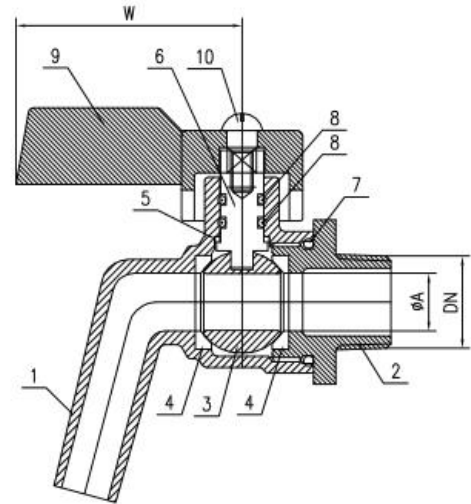
Head office: No.33 Jiuhe East Road,Development Zone,Cangzhou Hebei,China 061000

Casting&Forging Plant: No.26 ShigangRoad,Development Zone,Cangzhou Hebei,China 061000

Http://www.con-well.com E-mail: con-well@vip.163.com; sale@con-well.com



POLISHING BIBCOCK



MATERIAL LIST

ITEM	DESCRIPTION	MATERIAL
1	BODY	CF8/CF8M
2	CAP	CF8/CF8M
3	BALL	304/316
4	BALL SEAT	RPTFE
5	STEM SEAL	PTFE
6	STEM	304
7	O-RING	NBR
8	O-RING	NBR
9	HANDLE	304
10	SCREW	304

Dimension list

Size	ΦA	W
3/8"	10.0	41.0
1/2"	10.0	41.0
3/4"	15.0	41.0
1"	15.0	41.0