



Cangzhou Changyuan Fittings Co.,ltd Con-Well Metal Vietnam Co.,ltd

Vietnam plant: Lot 12, N11 Road, Dat Do I Industrial Zone, Phuoc Long Tho Ward, Dat Do District, Ba Ria Vung Tau Province

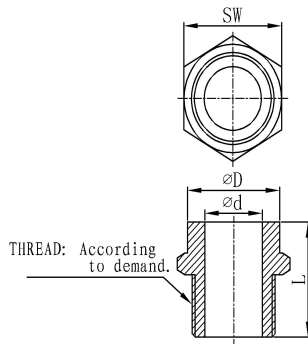
Head office: No.33 Jiuhe East Road,Development Zone,Cangzhou Hebei,China 061000

Casting&Forging Plant: No.26 ShigangRoad,Development Zone,Cangzhou Hebei,China 061000

Http://www.con-well.com E-mail: con-well@vip.163.com; sale@con-well.com

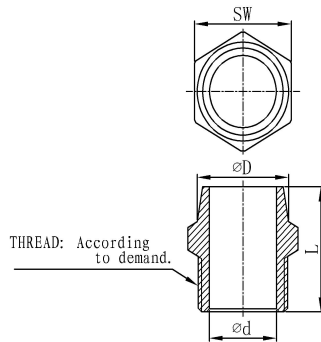
FITTINGS FOR FLEXIBLE TUBE SERIES (STANDARD TYPE)

(Measures:mm)



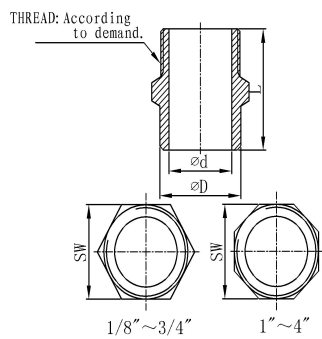
Hex Welding Nipple(BK-Short,Casting)

Size	SW	D	d	L
1/4"	14	11	6	22
3/8"	19	14	10	23
1/2"	22	18	14	28
3/4"	29	24	19	29
1"	35	33	25	37
1 1/4"	46	40	32	40
1 1/2"	50	47	38	43
2"	63	60	50	47



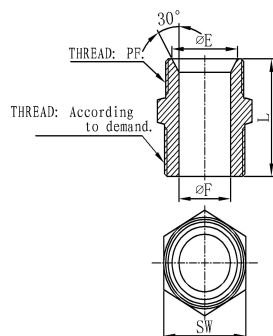
Hex Welding Nipple(FM,Casting)

Size	SW	D	d	L
1/2"	23	21	14	36.5
3/4"	30	26	20	40
1"	36	34	25	43
1 1/4"	46	42.5	32	47
1 1/2"	50	48	38	50
2"	62	60	50	57



Hex Welding Nipple(HN,Casting)

Size	D	d	L	SW
1/8"	9.7	5.6	22	12
1/4"	13	8	22.8	14.5
3/8"	16	11.2	27.8	17.5
1/2"	20.5	14.7	36	22.6
3/4"	26.5	20	39.5	27.7
1"	33	25.6	44	36
1 1/4"	41.5	35	49	43.5
1 1/2"	47.5	39.5	52	50
2"	59.5	50	59.5	63
2 1/2"	74.8	64.5	70.5	77.5
3"	88.5	77	75.5	91.5
4"	113.8	101	81.5	116



Male Thread With Cone Part(BK,Casting)

Size	E	F	L	SW
1/4"	10	5	27	14
3/8"	13.5	8	30	19
1/2"	16.5	11	38	22
3/4"	22	16	40	29
1"	28	22	45	35
1 1/4"	36	29	51	46
1 1/2"	42	34	52	50
2"	54	46	60	63



Cangzhou Changyuan Fittings Co.,ltd Con-Well Metal Vietnam Co.,ltd

Vietnam plant: Lot 12, N11 Road, Dat Do I Industrial Zone, Phuoc Long Tho Ward, Dat Do District, Ba Ria Vung Tau Province

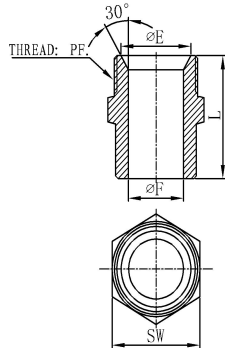
Head office: No.33 Jiuhe East Road, Development Zone, Cangzhou Hebei, China 061000

Casting & Forging Plant: No.26 Shigang Road, Development Zone, Cangzhou Hebei, China 061000

Http://www.con-well.com E-mail: con-well@vip.163.com; sale@con-well.com

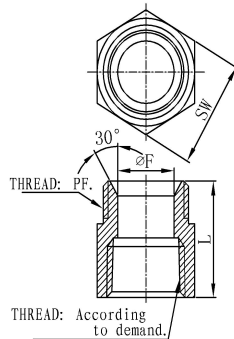
FITTINGS FOR FLEXIBLE TUBE SERIES (STANDARD TYPE)

(Measures:mm)



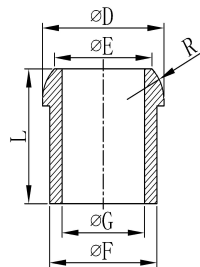
Male Thread With Welding Part(BK,Casting)

Size	E	F	L	SW
1/4"	10	5	27	14
3/8"	13.5	8	30	19
1/2"	16.5	11	38	22
3/4"	22	16	40	29
1"	28	22	45	35
1 1/4"	36	29	51	46
1 1/2"	42	34	52	50
2"	54	46	60	63



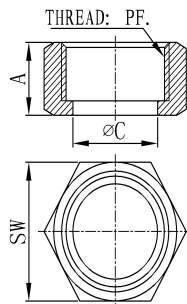
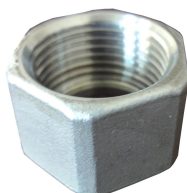
Female Thread With Cone Part(BK,Casting)

Size	SW	F	L
1/4"	17	5	25
3/8"	21	8	27
1/2"	26	11	35
3/4"	32	16	37
1"	38	22	41
1 1/4"	46	29	47
1 1/2"	54	34	47
2"	67	46	57



Cone Part(BK,Casting)

Size	D	E	G	F	L	R
1/4"	11	6.3	5	8.5	16	4.9
3/8"	14.5	9.4	8	11.5	19	6.8
1/2"	18	12.5	11	14.5	21	8.5
3/4"	23.5	17.5	16	20	24	11.5
1"	29.5	23.7	22	26	29	15
1 1/4"	38	31.2	29	34	33	19.5
1 1/2"	44	36.1	34	40	33	22.7
2"	56	48.2	46.7	52	35	29.6



Nut(BK,Casting)

Size	A	C	SW
1/4"	11.5	8.7	17
3/8"	13.5	11.7	21
1/2"	18	14.7	26
3/4"	18	20.2	32
1"	20	26.2	38
1 1/4"	26	34.2	46
1 1/2"	26	40.2	54
2"	30	52.2	67



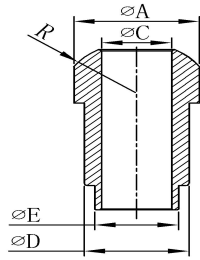
Cangzhou Changyuan Fittings Co.,ltd Con-Well Metal Vietnam Co.,ltd

Vietnam plant: Lot 12, N11 Road, Dat Do I Industrial Zone, Phuoc Long Tho Ward, Dat Do District, Ba Ria Vung Tau Province

Head office: No.33 Jiuhe East Road,Development Zone,Cangzhou Hebei,China 061000

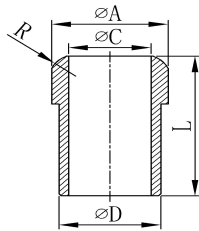
Casting&Forging Plant: No.26 ShigangRoad,Development Zone,Cangzhou Hebei,China 061000

Http://www.con-well.com E-mail: con-well@vip.163.com; sale@con-well.com



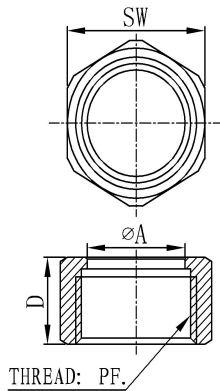
Part No.: Ogiva

Size	A	C	E	D	R
1/4"	11.2	5	7	8	10
3/8"	14.7	7	9.5	12	12
1/2"	18	10	12	15	10



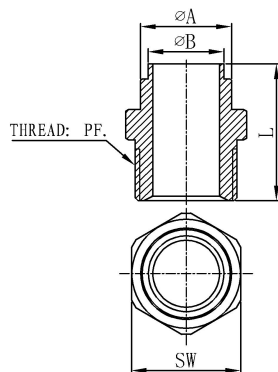
Part No.: Ogiva

Size	A	C	D	L	R
3/4"	24	17	21	35	10
1"	30	22	26.5	35	10
1 1/4"	38.5	29	35	35	10
1 1/2"	44.5	34	41	48	12
2"	56	40	50	40	13



Part No.: Dado

Size	SW	A	D
1/4"	19	8.5	14
3/8"	22	13	16
1/2"	27	16	20
3/4"	32	22	21.5
1"	38	27	22
1 1/4"	46	35.5	24
1 1/2"	55	41.5	28
2"	65	50.5	31



Part No.: Maschio

Size	A	B	L	SW
1/4"	10	7	30	19
3/8"	12	9.5	30	22
1/2"	15	12	38	23
3/4"	25	20	43.5	30
1"	30	25	45	36
1 1/4"	38	32	50	46
1 1/2"	45	39	54	50
2"	58	49	60	63