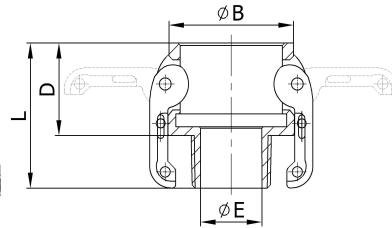


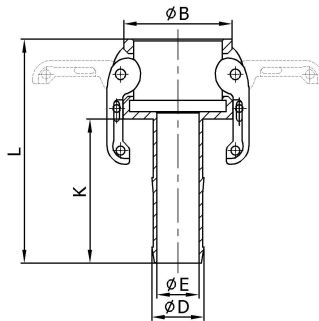
TYPE: A ADAPTOR FEMALE

Item	Size	1/2"×1/2"	3/4"×1/2"	3/4"	1"	1 1/4"	1 1/2"	2"	2 1/2"	3"	4"	5"	6"
D		26.5	32.2	32.2	38.2	45.5	54	66	81.5	96.5	124	155	180.5
C		36.7	37.2	37.6	45.5	54.3	55	61	80	73	84.5	83.3	87
B		15	21.5	21.5	24	30	36.8	47.7	58	74.5	103	126.5	150.5
		8	8	8	8	8	8	8	10	8	12	12	12



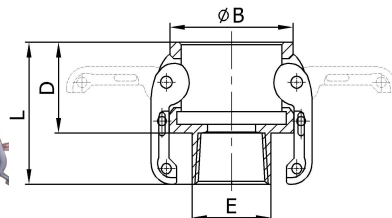
TYPE: B COUPLER MALE

Item	Size	1/2"×1/2"	3/4"×1/2"	3/4"	1"	1 1/4"	1 1/2"	2"	2 1/2"	3"	4"	5"	6"
L		46.7	47.2	48	58	65.4	69	77	85	89	90.5	101	112
B		32.8	42	40.8	45.5	55.5	62.5	74	86.5	102.5	134.5	166	200.5
E		15	15	20	25	32.5	40	50.5	63.2	78	101	128.5	153.5
D		29.8	30.5	30.5	37.5	43.5	46	51	54	55	56	59	70



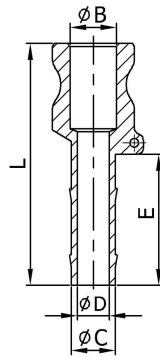
TYPE: C COUPLER HOSE SHANK

Item	Size	1/2"×1/2"	3/4"×1/2"	3/4"	1"	1 1/4"	1 1/2"	2"	2 1/2"	3"	4"	5"	6"	8"	10"
B		32.7	41	41	46.2	55.4	63	74	87	102.5	133.5	165.3	198.5	240.3	295
L		75.7	74.7	89.3	102	114.2	120	128.3	133	153.8	160.5	166.4	205	209	216
K		46	45	58.4	64.7	70.2	74	76.4	80.3	98.7	104	110.3	133.5	135.8	147
D		14.8	13.9	20	26.5	33.6	40.3	53.5	66.7	78	105	129	157	204.6	255
E		10	9.8	15.3	20.8	27	33.3	46	58.5	70.4	94	118.5	144	190.3	245



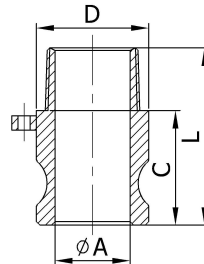
TYPE: D COUPLER FEMALE

Item	Size	1/2"×1/2"	3/4"×1/2"	3/4"	3/4"×1"	1"	1 1/4"	1 1/2"	2"	2 1/2"	3"	4"	5"	6"
B		32.6	40.5	40	47.5	46.5	54.6	63.3	74.3	86.6	102	134	167.5	198
L		43.6	44	46.5	54	57	64.5	66.3	75	81	85.5	92.5	102	116
D		29.8	30.5	30.5	39	36.5	43.5	45	50.5	54	54	56.5	59	69.5
E		26	27	32	32.5	38.4	46.5	54.5	66	81	95.5	122.5	155	180.5
		8	8	8	8	8	8	8	8	10	12	12	12	12



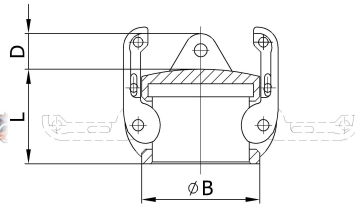
TYPE: E ADAPTOR HOSE SHANK

Item	Size	1/2"×1/2"	3/4"×1/2"	3/4"	1"	1 1/4"	1 1/2"	2"	2 1/2"	3"	4"	5"	6"	8"	10"
B		14.7	21.5	21.5	24.5	31	38.2	48.5	60.5	76.5	100	126	151	192	240
L		73.5	75	87.2	100	113.5	118.7	125	133.5	154	158.2	168	195.5	201	212.3
E		39.2	37.5	49	56	65.2	62.3	65	74.5	87.5	95	103.5	121	123.5	136.5
C		15	13.8	20	26.5	33.2	40	53.4	66.5	78	106	129	158	206	257
D		10.2	9.8	15	21	28	34	45.8	58.7	71	94.5	117.5	144	192	243



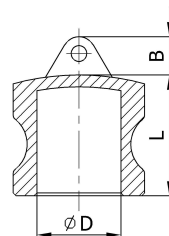
TYPE: F ADAPTOR MALE

Item	Size	1/2"×1/2"	3/4"×1/2"	3/4"	1"	1 1/4"	1 1/2"	2"	2 1/2"	3"	4"	5"	6"
A		14.7	22.2	22.2	25.3	31	38	48	59.5	75.5	102	128	152
D		25.5	32	32	37.5	47.3	54.5	64	78.5	94.5	124	149.5	180
C		34	32	32	40	46.3	51.5	58	58	64.3	65.1	70.5	77.5
L		47.5	49.5	49.5	58.2	67.4	72.4	81.5	86	97	101	112	119.5
		8	8	8	8	8	8	8	10	10	12	12	12



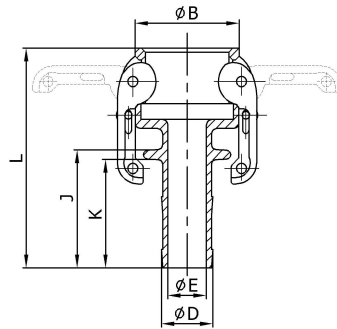
TYPE: DC DUST CAP

Item	Size	1/2"×1/2"	3/4"×1/2"	3/4"	1"	1 1/4"	1 1/2"	2"	2 1/2"	3"	4"	5"	6"
B		32	41	41	46	55.2	62.5	73.8	86	102	135	166	197.3
L		32	33	33	40.5	47	49.5	53.3	59.5	60.5	65	70.6	78.5
D		10	12.5	12.5	11.5	12.5	14	14.5	14	16	16	26.4	28



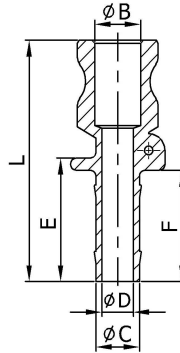
TYPE: DP DUST PLUG

Item	Size	1/2"×1/2"	3/4"×1/2"	3/4"	1"	1 1/4"	1 1/2"	2"	2 1/2"	3"	4"	5"	6"
B		9.5	10.5	10.5	12.5	12.5	12.5	15.5	17.5	14.5	13.5	27	28
L		28.5	29	29	33	41.4	46	49.5	53	55.5	58	63	64.5
D		14.5	22.5	22.5	24.5	30.2	37	49	58	75	101.5	128.5	150



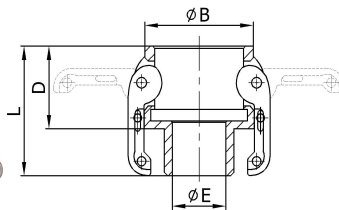
TYPE: C COUPLER HOSE SHANK,with collar

Item	Size	1/2"×1/2"	3/4"×1/2"	3/4"	1"	1 1/4"	1 1/2"	2"	2 1/2"	3"	4"
B		32.5	41	40.8	46.5	56	63	75.5	89	102.5	133.5
L		74	74	85	98	109.7	116	124	134	146.3	160.5
K		34.3	34.3	41.4	47.5	52.5	56.5	58.5	67	80.3	95
D		14	14	20	26.5	33.5	39.7	53	66.5	79	105.5
E		9	10	15	21	27	33	45	59.5	71	95
J		38	38	45.5	52	57	61.5	63	72.5	84.3	99.5



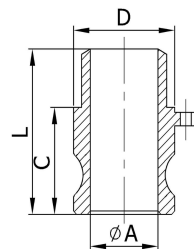
TYPE: E ADAPTOR HOSE SHANK,with collar

Item	Size	1/2"×1/2"	3/4"×1/2"	3/4"	1"	1 1/4"	1 1/2"	2"	2 1/2"	3"	4"
B		14.7	21.5	21.3	24.5	31	38.2	47	59	75.5	98.2
L		73.5	75	79.5	98	104	110	118.5	132.5	146.3	172.5
E		38	38	45.5	51	57	61.5	64	72.5	84.3	109.5
C		14.8	14	20	26.5	33.5	39.7	53	64.5	79	105.5
D		10	10	15	21.3	27.2	33	45	59	71	95
F		35.4	35.4	41.5	47	52.5	56.5	59	66.5	80.3	103.9



TYPE: B COUPLER MALE,BW

Item	Size	1/2"×1/2"	3/4"×1/2"	3/4"	1"	1 1/4"	1 1/2"	2"	2 1/2"	3"	4"	5"	6"
L		46.7	47.2	48	58	65.4	69	77.5	85	89	90.5	101	112
B		32.8	42	40.8	45.5	55.5	62.5	74	86.5	102.5	134.5	166	200.5
E		15	15	20	25	32.5	40	50.5	63.5	77.6	101	128.5	153.5
D		29.8	30.5	30.5	37.5	43.5	46	51	54	55	56	59	70



TYPE: F ADAPTOR MALE,BW

Item	Size	1/2"×1/2"	3/4"×1/2"	3/4"	1"	1 1/4"	1 1/2"	2"	2 1/2"	3"	4"	5"	6"
A		14.7	22.2	22.2	25.3	31	38	48	59.5	75.5	102	128	152
D		25.5	32	32	37.5	47.3	54.5	64	78.5	94.5	124	149.5	180
C		34	32	32	40	46.3	51.5	58	58	64.3	65.1	70.5	77.5
L		47.5	49.5	49.5	58.2	67.4	72.4	81	86	97	101	112	119.5
		8	8	8	8	8	8	8	10	10	12	12	12