



Cangzhou Changyuan Fittings Co.,ltd
Con-Well Metal Vietnam Co.,ltd

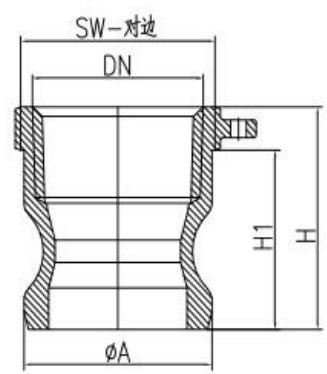
Vietnam plant: Lot 12, N11 Road, Dat Do I Industrial Zone, Phuoc Long Tho Ward, Dat Do District, Ba Ria Vung Tau Province

Head office: No.33 Jiuhe East Road,Development Zone,Cangzhou Hebei,China 061000

Casting&Forging Plant: No.26 ShigangRoad,Development Zone,Cangzhou Hebei,China 061000

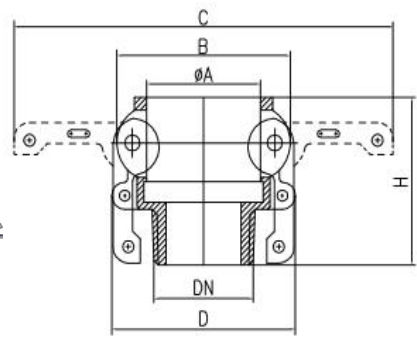
Http://www.con-well.com E-mail: con-well@vip.163.com; sale@con-well.com

Quick Coupling ,Type III 2014-1-1



TYPE: A ADAPTOR FEMALE--(Type III)

DN	1"	1 1/4"	1 1/2"	2"	2 1/2"-BSP	2 1/2"-NPT	3"	4"
ΦA	36.7	45.5	53.4	63.1	75.8	75.8	91.5	119.6
H1	33	39	42	47	49	49	50	51.5
H1	41	49	52	57	76	60	63	68.5
SW-对边	37	46	52	64.5	80	77.5	94	120



TYPE: B COUPLER MALE--(Type III)

DN	1"	1 1/4"	1 1/2"	2"	2 1/2"-BSP	2 1/2"-NPT	3"	4"
ΦA	37.6	46.2	54.1	63.8	76.6	76.6	92.5	121
B	57	68.5	77	88	100	100	123.5	151
C	125	175	185	200	210	210	240	270
D	60.5	72.5	80.5	94	107	107	135	161
H	55	62.5	64	72	77	77	83	88

Cangzhou Changyuan Fittings Co.,ltd Con-Well Metal Vietnam Co.,ltd

Vietnam plant: Lot 12, N11 Road, Dat Do I Industrial Zone, Phuoc Long Tho Ward, Dat Do District, Ba Ria Vung Tau Province

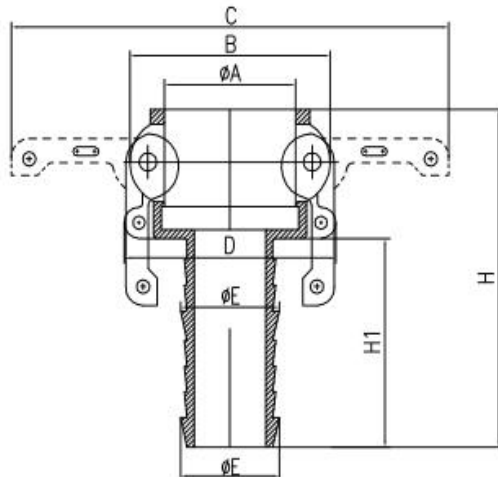
Head office: No.33 Jiuhe East Road,Development Zone,Cangzhou Hebei,China 061000

Casting&Forging Plant: No.26 ShigangRoad,Development Zone,Cangzhou Hebei,China 061000

Http://www.con-well.com E-mail: con-well@vip.163.com; sale@con-well.com

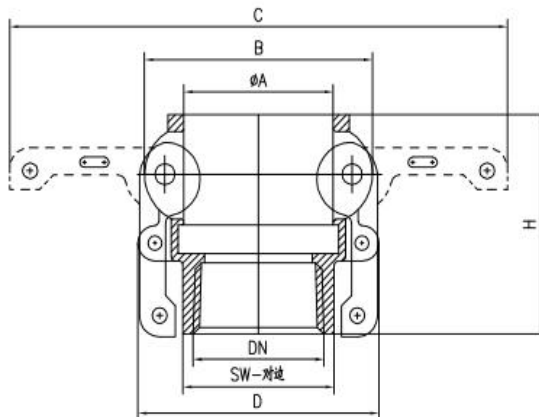


Quick Coupling ,Type III 2014-1-1



TYPE: C COUPLER HOSE SHANK--(Type III)

DN	1"	1 1/4"	1 1/2"	2"	2 1/2"	3"	4"
φA	37.6	46.2	54.1	63.8	76.6	92.5	121
B	57	68.5	77	88	100	123.5	151
C	125	175	185	200	210	240	270
D	60.5	72.5	80.5	94	107	135	161
φE	27	34	41	53	67	79	105
H1	55	57	62.5	67.5	70	85	94
H1	92.5	100	106	117	122	140	148



TYPE: D COUPLER FEMALE--(Type III)

DN	1"	1 1/4"	1 1/2"	2"	2 1/2"-BSP	2 1/2"-NPT	3"	4"
φA	37.6	46.2	54.1	63.8	76.6	76.6	92.5	121
B	57	68.5	77	88	100	100	123.5	151
C	125	175	185	200	210	210	240	270
DN	60.5	72.5	80.5	94	107	107	135	161
SW-对边	37.5	46	52	64.5	80	77.5	94	120
H	52.5	59.5	59.5	68.5	74	74	80	85

Cangzhou Changyuan Fittings Co.,ltd Con-Well Metal Vietnam Co.,ltd

Vietnam plant: Lot 12, N11 Road, Dat Do I Industrial Zone, Phuoc Long Tho Ward, Dat Do District, Ba Ria Vung Tau Province

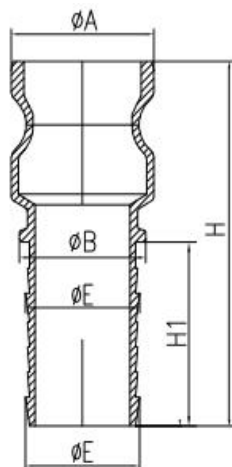
Head office: No.33 Jiuhe East Road,Development Zone,Cangzhou Hebei,China 061000

Casting&Forging Plant: No.26 ShigangRoad,Development Zone,Cangzhou Hebei,China 061000

Http://www.con-well.com E-mail: con-well@vip.163.com; sale@con-well.com

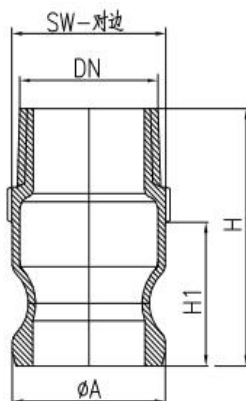


Quick Coupling ,Type III 2014-1-1



TYPE: E ADAPTOR HOSE SHANK--(Type III)

DN	1"	1 1/4"	1 1/2"	2"	2 1/2"	3"	4"
ϕA	36.7	45.5	53.4	63.1	75.8	91.5	119.6
ϕB	32	39	45	58	73	85	110
ϕE	27	34	41	53	67	79	105
H1	51	52	55.5	60	62	74.5	83.5
H1	96.5	104.5	112	121.5	127	141.5	156



TYPE: F ADAPTOR MALE--(Type III)

DN	1"	1 1/4"	1 1/2"	2"	2 1/2"-BSP	2 1/2"-NPT	3"	4"
ϕA	36.7	45.5	53.4	63.1	75.8	75.8	91.5	119.6
H1	33	39	42	47	49	49	50	51.5
H	59	67	70	78.5	85	85	91	98.5
SW-对边	37	46	53.5	64.5	79	79	94	120



Cangzhou Changyuan Fittings Co.,ltd
Con-Well Metal Vietnam Co.,ltd

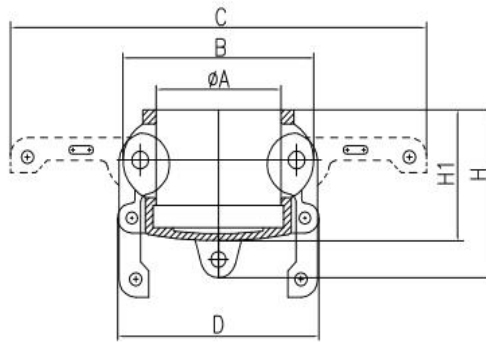
Vietnam plant: Lot 12, N11 Road, Dat Do I Industrial Zone, Phuoc Long Tho Ward, Dat Do District, Ba Ria Vung Tau Province

Head office: No.33 Jiuhe East Road,Development Zone,Cangzhou Hebei,China 061000

Casting&Forging Plant: No.26 ShigangRoad,Development Zone,Cangzhou Hebei,China 061000

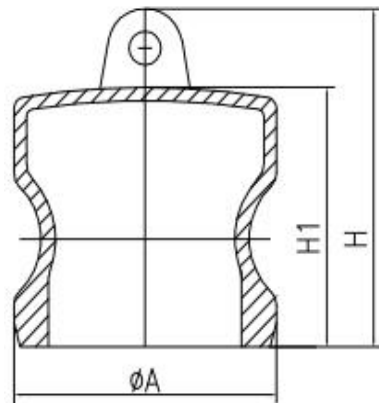
Http://www.con-well.com E-mail: con-well@vip.163.com; sale@con-well.com

Quick Coupling ,Type III 2014-1-1



TYPE: DC DUST--(Type III)

DN	1"	1 1/4"	1 1/2"	2"	2 1/2"	3"	4"
ΦA	37.6	46.2	54.1	63.8	76.6	92.5	121
B	57	68.5	77	88	100	123.5	151
C	125	175	185	200	210	240	270
D	60.5	72.5	80.5	94	107	135	161
H1	37	43	44	49.5	52	54.5	54.5
H	47.5	55	56	61	64	70	70



TYPE: DP DUST PLUG---(Type III)

DN	1"	1 1/4"	1 1/2"	2"	2 1/2"	3"	4"
ΦA	36.7	45.5	53.4	63.1	75.8	91.5	119.6
H1	34.5	40.5	44	49	51	52.5	54
H	45	51	54.7	60	63	67	69