



Cangzhou Changyuan Fittings Co.,ltd Con-Well Metal Vietnam Co.,ltd

Vietnam plant: Lot 12, N11 Road, Dat Do I Industrial Zone, Phuoc Long Tho Ward, Dat Do District, Ba Ria Vung Tau Province

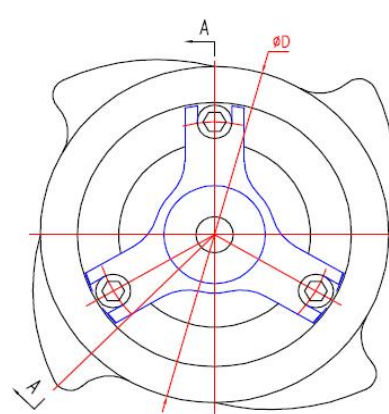
Head office: No.33 Jiuhe East Road, Development Zone, Cangzhou, Hebei, China 061000

Casting & Forging Plant: No.26 Shigang Road, Development Zone, Cangzhou, Hebei, China 061000

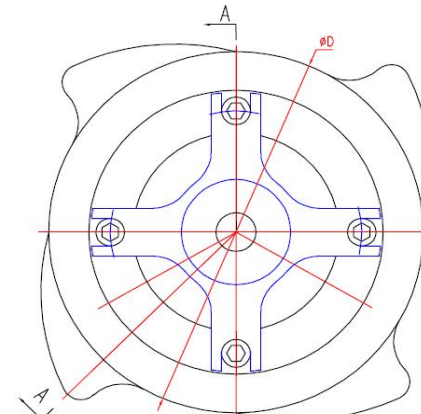
Http://www.con-well.com E-mail: con-well@vip.163.com; sale@con-well.com

Wafer Check Valves

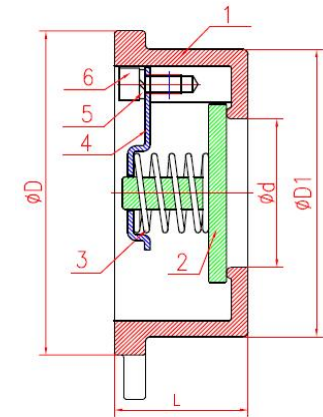
对夹式止回阀



DN15~DN80



DN100~DN150



Material List:

Item	Description	Material
1	Valve Body 阀体	CF8/CF8M
2	Valve Disc 阀芯	CF8/CF8M
3	Spring 弹簧	304/316
4	Bracket 支架	304/316
5	Spring washer 弹垫	304
6	Bolt 螺栓	304

Flange Ends: DIN2543~2545 PN16/25/40, ANSI 150/300LBS

Face to Face: DIN3202-K4

Pressure Rating: PN40

Pressure Test: API 598

Dimension list:

	DN15	DN20	DN25	DN32	DN40	DN50	DN65	DN80	DN100	DN125	DN150
Φd	15	20	25	32	40	50	65	76	94	120	142
ΦD	42.5	52	62	70	80	94	115	132	153	188	214
ΦD1	42.5	48	54	62	73	87	103.8	123	141	176	201
L	16	19	22	28	31.5	40	46	50	60	90	106