

Default standard, direction (4 +1 holes)

Optional direction (3 +1 holes or 2+1 holes)

DIN11851 Welding Butterfly valve TYPE- I (Heavy Type)

SIZE	Series I		Series II		L1	L	H	OD	TK	K*K	H1
	φ D	φ d	φ D	φ d							
DN15	18.0	15.0	19.0	16.0	130.0	48.0	61.0	78.0	22.0	8*8	37.1
DN20	22.0	19.0	23.0	20.0	130.0	48.0	61.0	78.0	22.0	8*8	37.1
DN25	28.0	25.0	29.0	26.0	130.0	48.0	61.0	78.0	22.0	8*8	37.1
DN32	34.0	31.0	35.0	32.0	130.0	50.0	65.0	86.0	22.0	8*8	41.3
DN40	40.0	37.0	41.0	38.0	130.0	50.0	67.0	90.0	22.0	8*8	43.4
DN50	52.0	49.0	53.0	50.0	136.0	52.0	77.0	106.0	22.0	10*10	51.5
DN65	70.0	66.0			136.0	56.0	86.0	124.0	22.0	10*10	60.6
DN80	85.0	81.0			136.0	58.0	92.0	139.0	22.0	10*10	67.7
DN100	104.0	100.0			147.0	64.0	103.0	159.0	24.0	10*10	78.0
DN125	129.0	125.0			175.0	80.0	118.0	190.0	24.0	12*12	94.0
DN150	154.0	150.0			175.0	90.0	134.0	220.0	24.0	12*12	109.0

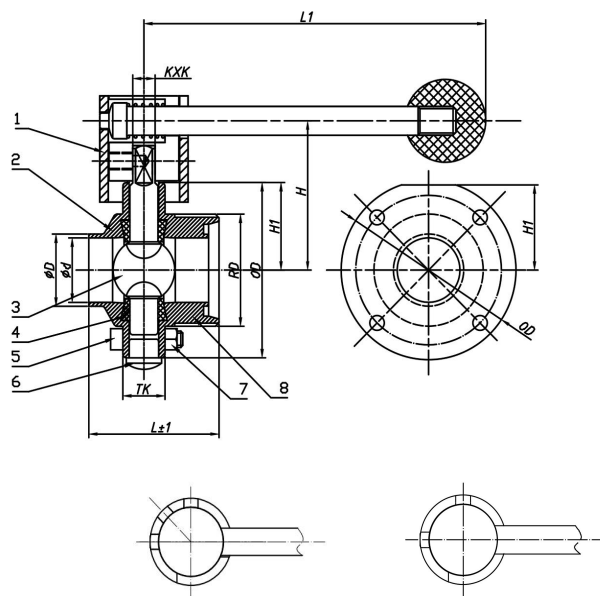
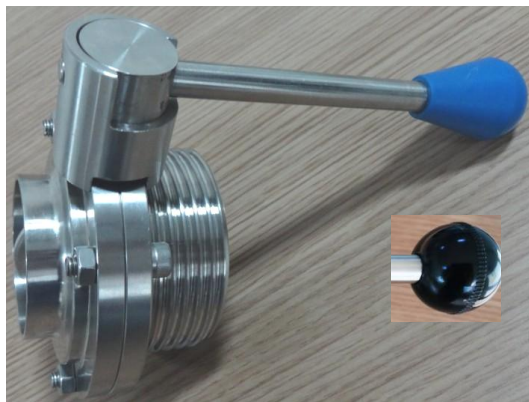
Material List:

ITEM	DESCRIPTION	MATERIAL
1	Muti-position Handle	304(4 holes)
2	Body	304/316/316L
3	Disc	304/316/316L
4	Seal	EPDM/Silicon
5	Bolt	304
6	Plug	NBR
7	Nut	304

FEATURES:

- Rated Pressure: PN1.0Mpa
- Inspection Testing: API598
- Connection: welding
- Working temperature: -5°C~95°C

Butterfly valve, DIN11851 BW/Male



Default standard, direction (4+1 holes)

Optional direction (3+1 holes or 2+1 holes)

Size	RD	Series I		Series II		L1	L	H	OD	TK	K*K	H1
		φ D	φ d	φ D	φ d							
DN20	RD44*1/6	22.0	19.0	23.0	20.0	130.0	57.0	61.0	78.0	22.0	8*8	37.1
DN25	RD52*1/6	28.0	25.0	29.0	26.0	130.0	57.0	61.0	78.0	22.0	8*8	37.1
DN32	RD58*1/6	34.0	31.0	35.0	32.0	130.0	60.0	65.0	86.0	22.0	8*8	41.3
DN40	RD65*1/6	40.0	37.0	41.0	38.0	130.0	62.0	67.0	90.0	22.0	8*8	43.4
DN50	RD78*1/6	52.0	49.0	53.0	50.0	136.0	64.0	77.0	106.0	22.0	10*10	51.5
DN65	RD95*1/6	70.0	66.0			136.0	68.0	86.0	124.0	22.0	10*10	60.6
DN80	RD110*1/4	85.0	81.0			136.0	71.0	92.0	139.0	22.0	10*10	67.7
DN100	RD130*1/4	104.0	100.0			147.0	84.0	103.0	159.0	24.0	10*10	78.0

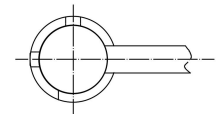
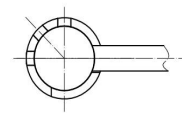
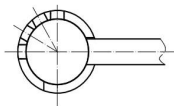
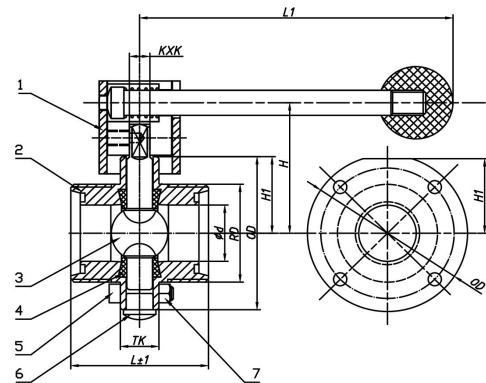
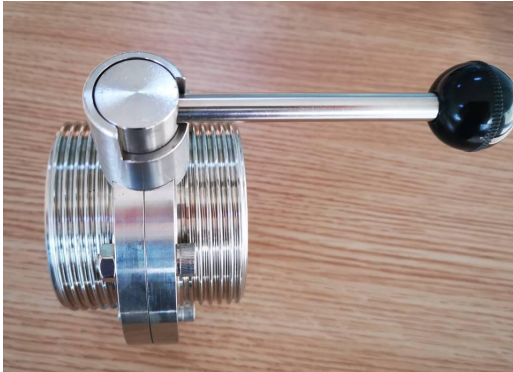
Material List:

Item	Description	Material
1	Muti-position Handle	304(4 holes)
2	Body I	304/316/316L
3	Disc	304/316/316L
4	Seal	EPDM/Silicon
5	Bolt	304
6	Plug	NBR
7	Nut	304
8	Body II	304/316/316L

FEATURES:

- Rated Pressure: PN1.0Mpa
- Inspection Testing: API598
- Connection: welding/Male
- Working temperature: -5°C~95°C

Butterfly valve, DIN11851 Male/Male



Default standard, direction (4 +1 holes)

Optional direction (3 +1 holes or 2+1 holes)

Size	RD	φ d	L1	L	H	OD	TK	K*K	H1
DN20	RD44*1/6	19.00	130.0	66.0	61.0	78.0	22.0	8*8	37.1
DN25	RD52*1/6	25.00	130.0	66.0	61.0	78.0	22.0	8*8	37.1
DN32	RD58*1/6	31.00	130.0	70.0	65.0	86.0	22.0	8*8	41.3
DN40	RD65*1/6	37.00	130.0	74.0	67.0	90.0	22.0	8*8	43.4
DN50	RD78*1/6	49.00	136.0	76.0	77.0	106.0	22.0	10*10	51.5
DN65	RD95*1/6	66.00	136.0	80.0	86.0	124.0	22.0	10*10	60.6
DN80	RD110*1/4	81.00	136.0	84.0	92.0	139.0	22.0	10*10	67.7
DN100	RD130*1/4	100.00	147.0	104.0	103.0	159.0	24.0	10*10	78.0

Material List:

ITEM	DESCRIPTION	MATERIAL
1	Muti-position Handle	304(4 holes)
2	Body	304/316/316L
3	Disc	304/316/316L
4	Seal	EPDM/Silicon
5	Bolt	304
6	Plug	NBR
7	Nut	304

FEATURES:

- Rated Pressure: PN1.0Mpa
- Inspection Testing: API598
- Connection: welding
- Working temperature: -5°C~95°C