



Cangzhou Changyuan Fittings Co.,ltd Con-Well Metal Vietnam Co.,ltd

Vietnam plant: Lot 12, N11 Road, Dat Do I Industrial Zone, Phuoc Long Tho Ward, Dat Do District, Ba Ria Vung Tau Province

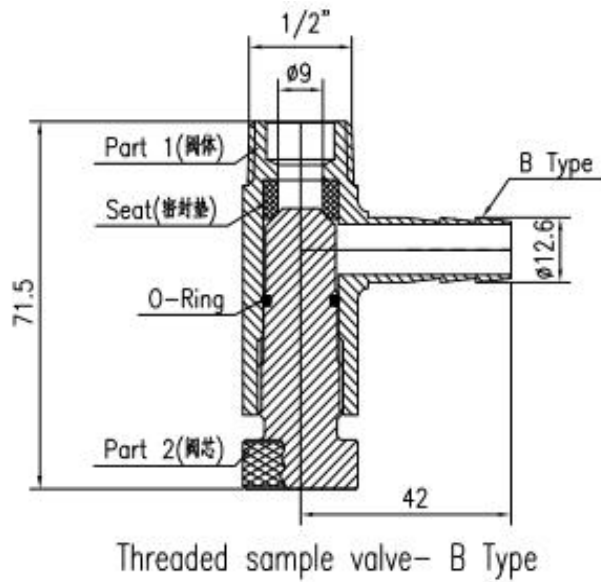
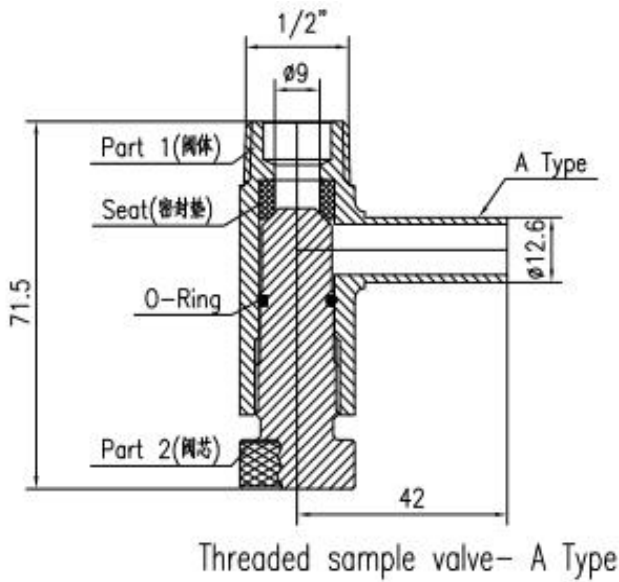
Head office: No.33 Jiuhe East Road,Development Zone,Cangzhou Hebei,China 061000

Casting&Forging Plant: No.26 ShigangRoad,Development Zone,Cangzhou Hebei,China 061000

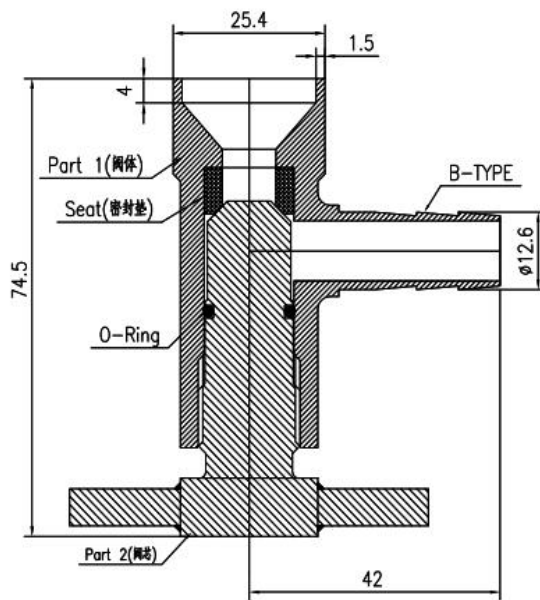
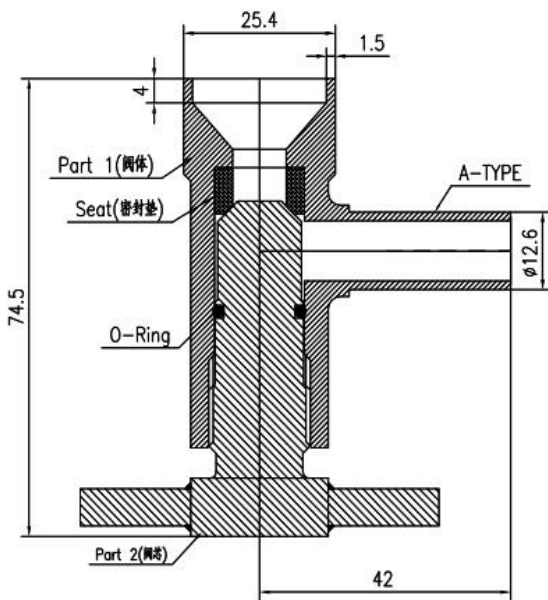
Http://www.con-well.com E-mail: con-well@vip.163.com; sale@con-well.com

Sanitary Sample Valve 卫生级取样阀

1. Threaded Sample valves



2. Welded Sample valves





Cangzhou Changyuan Fittings Co.,ltd Con-Well Metal Vietnam Co.,ltd

Vietnam plant: Lot 12, N11 Road, Dat Do I Industrial Zone, Phuoc Long Tho Ward, Dat Do District, Ba Ria Vung Tau Province

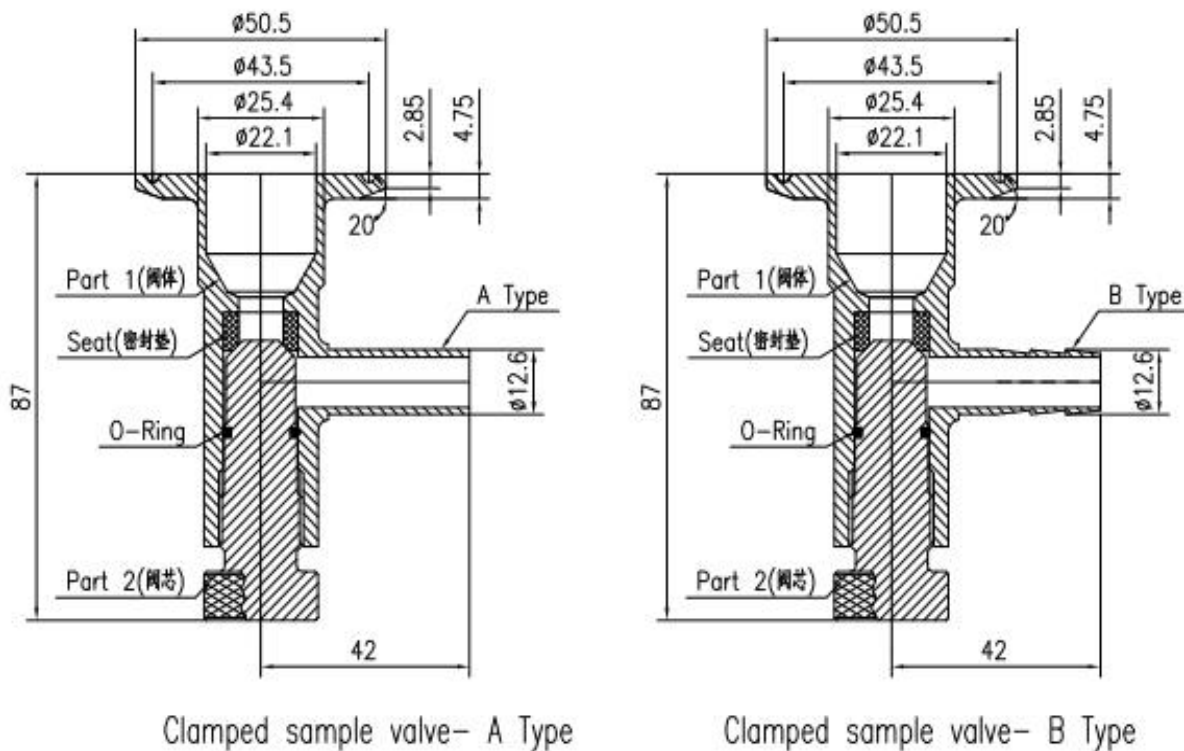
Head office: No.33 Jiuhe East Road,Development Zone,Cangzhou Hebei,China 061000

Casting&Forging Plant: No.26 ShigangRoad,Development Zone,Cangzhou Hebei,China 061000

Http://www.con-well.com E-mail: con-well@vip.163.com; sale@con-well.com

Sanitary Sample Valve 卫生级取样阀

3. Clamped Sample valves



Material list :

Item	Description	Material	Quantity
1	Part 1 (阀体)	304/316/316L	1
2	Part 2 (阀芯)	304/316/316L	1
3	Seal(密封垫)	PTFE	1
4	O-Ring	EPDM/NBR/SILION	1